



INDUSTRIAL & ACTUATION PRODUCTS



**GENERAL FUELS
COMPANY**

Official and Exclusive Exporter
Middle East and Africa





Table of Contents

Brass		Butterfly Valves		Flanges	
T-100NEG.....	3	Series 600 - Lug Type.....	15	FL SS-100-150.....	33
JP-100GPxP.....	3	Series 900 - Wafer Type....	16	FL SS-100-300.....	33
T-100NE.....	5	Butterfly Accessories		FL CS-100-150.....	34
S-100NE.....	5	Butterfly Lever.....	17	FL CS-100-300.....	34
JP-100PxP.....	6	Butterfly Gear Operator...17		Actuation	
JP-100PxP XLC.....	6	Y-Strainer		AE Series.....	35
T-100SSS.....	7	Y-Strainer.....	18	Indelac Controls.....	35
T-100STN.....	7	Check Valves		Alpha Series.....	36
T-100SSE.....	8	T-501.....	19	EP-100.....	37
S-100SSE.....	8	S-501.....	19	PP-200.....	37
T-100FMN.....	9	T-511.....	20	SM-200.....	38
S-100FMN.....	9	S-511.....	20	SV-120.....	38
T-100UE.....	10	Stainless		Direct Mount Series.....	39
S-100DUE.....	10	T-SS-2000N.....	21	A1000.....	39
T-100FB.....	11	T-SS-2000N-DH.....	21	A750T / A750L.....	40
T-82M (Mini).....	11	T-SS-1001N.....	22	850T - 850L.....	40
T-600-4B.....	12	T-SS-1001N-VB.....	22	A2020D.....	41
S-600-4B.....	12	T-SS-1000N-4B.....	23	A-766L.....	42
Med Gas		S-SS-1000N-4B.....	23	A9000TD.....	43
S-650-CE-4B.....	13	Carbon Steel		A9500.....	43
S-675-GP-4B.....	13	T-SS-2000N-SS.....	27	Technical Tables.....	44
S-675-DGP-4B.....	14	T-CS-2000N-SS-VB.....	27		
		T-CS-1001N-SS.....	28		
		T-CS-4000.....	28		
		T-CS-1000N-SS-4B.....	29		
		S-CS-1000N-SS-4B.....	29		
		T-CS-2002N-SS-DUE.....	30		
		S-CS-2002N-SS-DUE.....	30		
		T-CS-2001N-SS-4B.....	31		
		S-CS-2001N-SS-4B.....	31		
		Sealant			
		W.O.G. Plus®.....	32		
		The Heavy Weight®.....	32		
		Gimmie The Green Stuff®.....	32		
		Gimmie The White Stuff®.....	32		
		Hi-Temp®.....	32		

Lead Free Brass

T-100NEG*

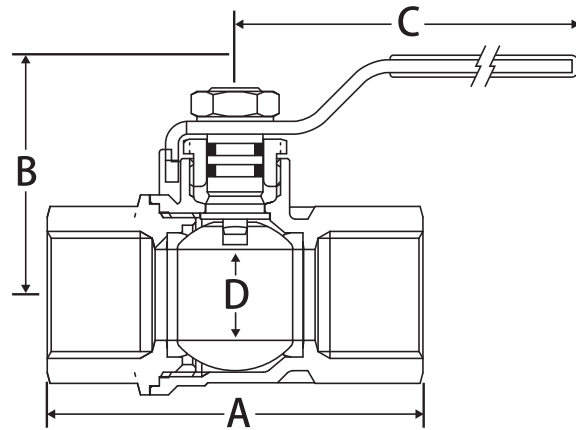
2 Piece • Full Port • Threaded Connection • Dezincification Resistant Brass • 600 WOG



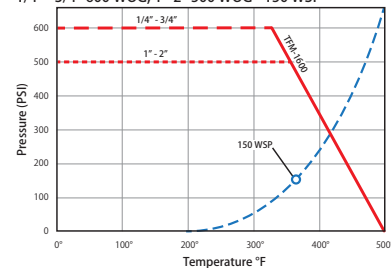
- Dezincification resistant brass alloy
- Triple sealing stem with 2 Viton® o-rings and Teflon® seal
- Blow-out proof stem
- 100% leak tested
- Made in Italy
- Leakproof stem - Lifetime Warranty

Part No.	Size	A	B	C	D	CV
100-703NGDZ	1/2"	2.45	1.53	2.95	0.59	16.82
100-704NGDZ	3/4"	2.71	1.95	3.74	0.79	34.80
100-705NGDZ	1"	3.30	2.40	4.75	0.97	52.20
100-706NGDZ	1-1/4"	3.80	2.59	4.75	1.23	112.52
100-707NGDZ	1-1/2"	4.16	3.22	6.00	1.49	174.00
100-708NGDZ	2"	5.00	3.40	6.00	1.99	255.20

*This valve was previously T-100NGDZ



Valve Seat Rating
1/4" - 3/4" 600 WOG, 1 - 2" 500 WOG - 150 WSP



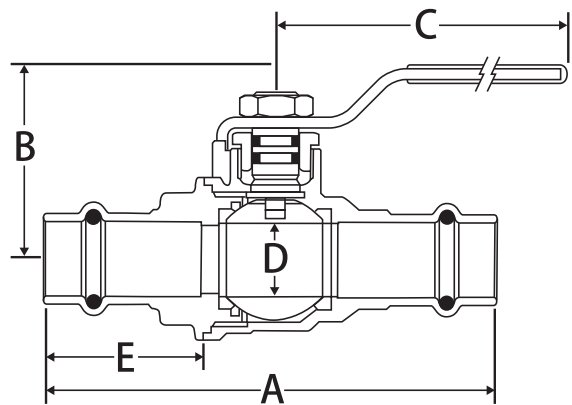
JP-100GPxP

2 Piece • Full Port • Press Connection • Dezincification Resistant Brass • 250 WOG



- Dezincification resistant brass alloy
- Triple sealing stem with 2 Viton® o-rings and Teflon® seal
- Blow-out proof stem
- 100% leak tested
- Made in Italy
- Leakproof stem - Lifetime Warranty

Part No.	Size	A	B	C	D	E	CV
100-203G	1/2"	3.54	1.53	2.95	0.59	1.24	16.82
100-204G	3/4"	3.84	1.95	3.74	0.79	1.28	34.80
100-205G	1"	4.31	2.40	4.75	0.97	1.38	52.20
100-206G	1-1/4"	4.80	2.59	4.75	1.23	1.30	112.52
100-207G	1-1/2"	5.61	3.22	6.00	1.49	1.50	174.00
100-208G	2"	7.16	3.40	6.00	1.99	2.01	255.20



Valve Seat Rating

- 250 WOG
- Temperature rating: max. 250° F

Lead Free Brass

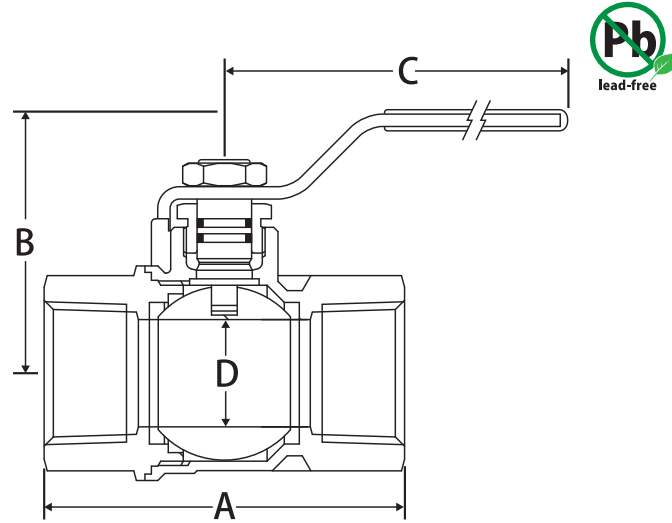
T-100C

2 Piece • Full Port • Threaded Connection • 600 WOG

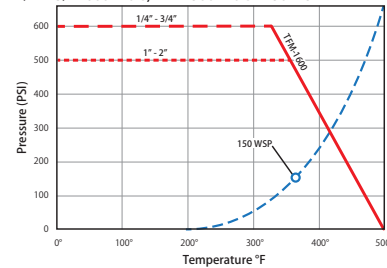


- Compact design
- Triple sealing stem with 2 Viton® o-rings and Teflon® seal
- Blow-out proof stem
- 100% leak tested
- Made in Italy
- Leakproof stem - Lifetime Warranty

Part No.	Size	A	B	C	D	CV
100-403G	1/2"	2.00	1.53	2.95	0.59	16.82
100-404G	3/4"	2.34	1.95	3.74	0.79	34.80
100-405G	1"	2.67	2.40	4.75	0.97	52.20
100-406G	1-1/4"	3.22	2.59	4.75	1.23	112.52
100-407G	1-1/2"	2.68	3.22	6.00	1.49	174.00
100-408G	2"	4.29	3.40	6.00	1.99	255.20



Valve Seat Rating
1/4" - 3/4" 600 WOG, 1 - 2" 500 WOG - 150 WSP



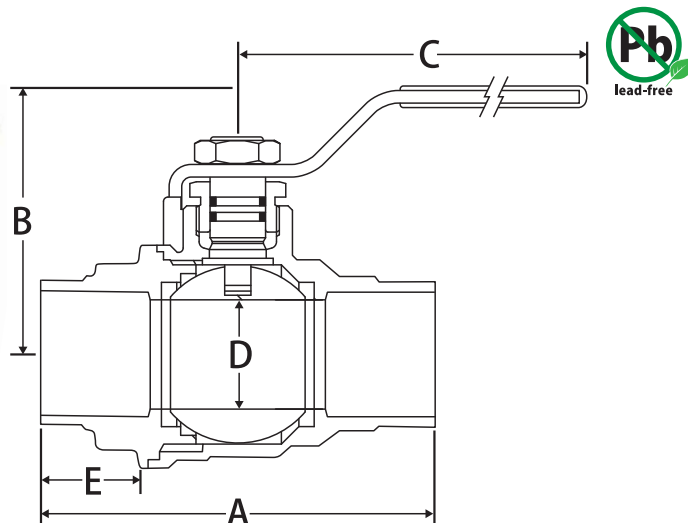
S-100C

2 Piece • Full Port • Solder Connection • 600 WOG

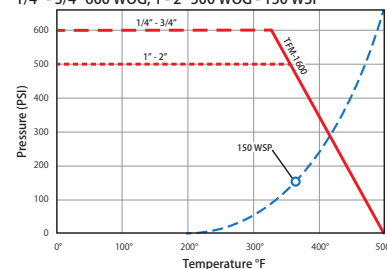


- Triple sealing stem with 2 Viton® o-rings and Teflon® seal
- Blow-out proof stem
- 100% leak tested
- Made in Italy
- Leakproof stem - Lifetime Warranty

Part No.	Size	A	B	C	D	E	CV
100-413G	1/2"	2.48	1.56	2.95	0.59	0.51	16.82
100-414G	3/4"	3.26	2.05	3.74	0.79	0.76	34.80
100-415G	1"	3.94	2.55	4.75	0.97	0.92	52.20
100-416G	1-1/4"	4.50	2.66	4.75	1.23	0.98	112.52
100-417G	1-1/2"	5.07	3.31	6.00	1.49	1.10	174.00
100-418G	2"	6.22	3.60	6.00	1.99	1.34	255.20



Valve Seat Rating
1/4" - 3/4" 600 WOG, 1 - 2" 500 WOG - 150 WSP



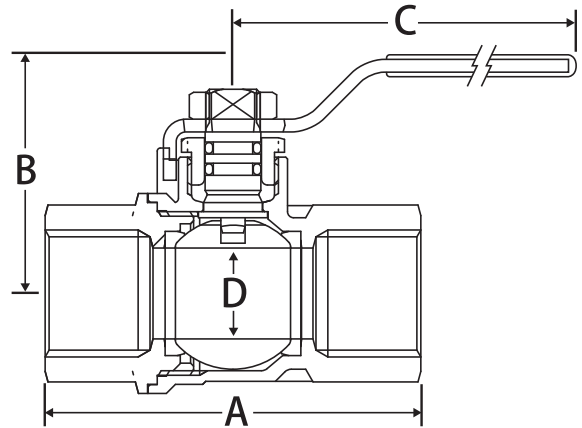
T-100NE

2 Piece • Full Port • Threaded Connections • 600 WOG



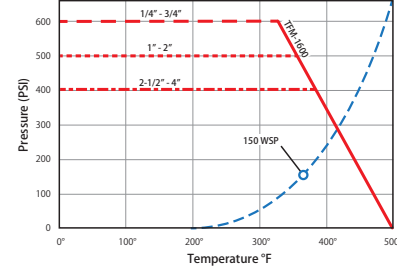
- Blow-out proof stem
- Triple sealing stem with 2 Viton® o-rings and Teflon® seal
- 100% leak tested
- Made in Italy
- Leakproof stem - Lifetime Warranty

Part No.	Size	A	B	C	D	CV
100-701	1/4"	1.86	1.41	2.95	0.39	7.66
100-702	3/8"	1.86	1.41	2.95	0.39	7.77
100-703	1/2"	2.45	1.53	2.95	0.59	16.82
100-704	3/4"	2.71	1.95	3.74	0.79	34.80
100-705	1"	3.30	2.40	4.75	0.97	52.20
100-706	1-1/4"	3.80	2.59	4.75	1.23	112.52
100-707	1-1/2"	4.16	3.22	6.00	1.49	174.00
100-708	2"	5.00	3.40	6.00	1.99	255.20
100-709	2 1/2"	6.06	4.60	8.00	2.46	350.32
100-710	3"	7.08	4.90	8.00	2.99	563.76
100-711	4"	8.57	5.90	9.88	4.00	879.28



Valve Seat Rating

1/4" - 3/4" 600 WOG, 1-2" 500 WOG, 2-1/2" - 4" 400 WOG - 150 WSP



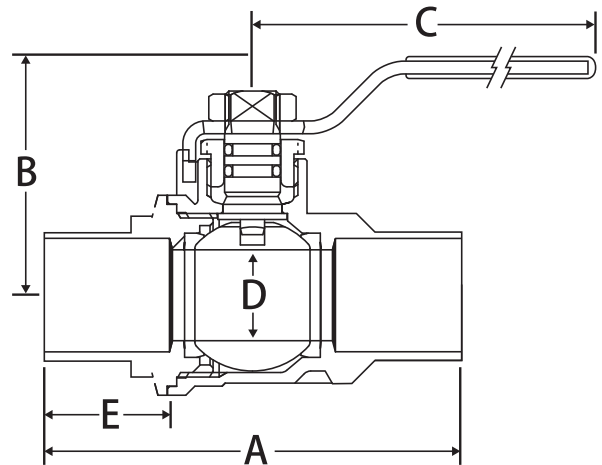
S-100NE

2 Piece • Full Port • Solder Connection • 600 WOG



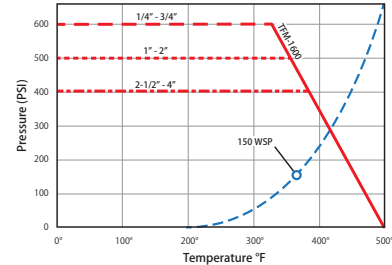
- Blow-out proof stem
- Triple sealing stem with 2 Viton® o-rings and Teflon® seal
- 100% leak tested
- Made in Italy
- Leakproof stem - Lifetime Warranty

Part No.	Size	A	B	C	D	E	CV
100-803	1/2"	2.48	1.56	2.95	0.59	0.51	16.82
100-804	3/4"	3.26	2.05	3.74	0.79	0.76	34.80
100-805	1"	3.94	2.55	4.75	0.97	0.92	52.20
100-806	1-1/4"	4.50	2.66	4.75	1.23	0.98	112.52
100-807	1-1/2"	5.07	3.31	6.00	1.49	1.10	174.00
100-808	2"	6.22	3.60	6.00	1.99	1.34	255.20
100-809	2 1/2"	7.28	4.74	8.00	2.46	1.45	350.32
100-810	3"	8.48	5.05	8.00	2.99	1.63	563.76



Valve Seat Rating

1/4" - 3/4" 600 WOG, 1-2" 500 WOG, 2-1/2" - 4" 400 WOG - 150 WSP



Brass

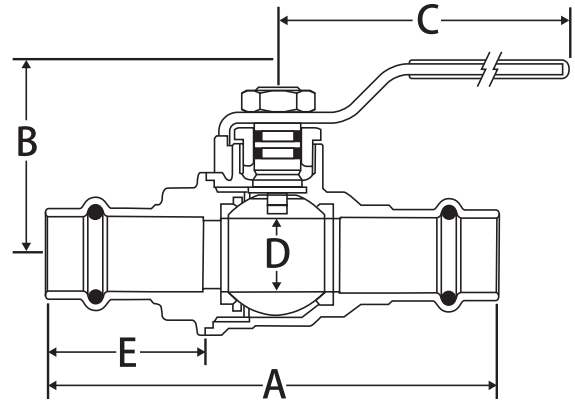
JP-100PxP

2 Piece • Full Port • Press Connection • 250 WOG



- Triple sealing stem with 2 Viton® o-rings and Teflon® seal
- Corrosion resistant brass
- Blow-out proof stem
- 100% leak tested
- Made in Italy
- Leakproof stem - Lifetime Warranty

Part No.	Size	A	B	C	D	E	CV
100-203	1/2"	3.54	1.53	2.95	0.59	1.24	16.82
100-204	3/4"	3.84	1.95	3.74	0.79	1.28	34.80
100-205	1"	4.31	2.40	4.75	0.97	1.38	52.20
100-206	1-1/4"	4.80	2.59	4.75	1.23	1.30	112.52
100-207	1-1/2"	5.61	3.22	6.00	1.49	1.50	174.00
100-208	2"	7.16	3.40	6.00	1.99	2.01	255.20



Valve Seat Rating

- 250 WOG
- Temperature rating: max. 250° F

JP-100PxP XLC

2 Piece • Full Port • Press XLC Connection • 200 WOG

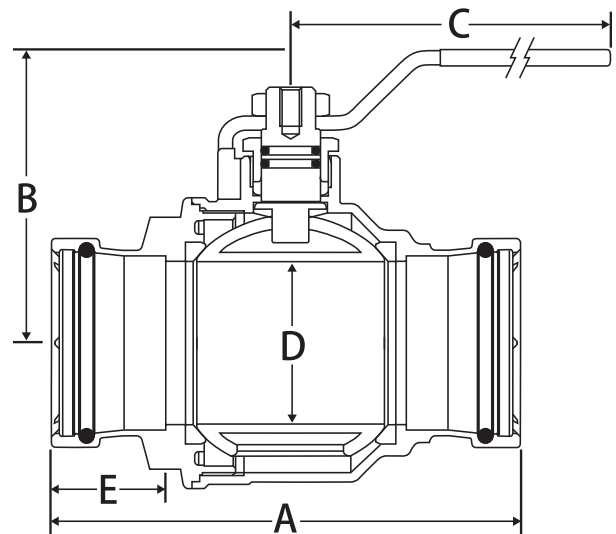


Patent Pending
JoGripp™



- Triple sealing stem with 2 Viton® o-rings and Teflon® seal
- Blow-out proof stem
- Corrosion resistant brass
- 100% leak tested
- Made in Italy
- Leakproof stem - Lifetime Warranty

Part No.	Size	A	B	C	D	E	CV
100-209XLC	2 1/2"	7.13	4.72	8.00	2.46	1.75	350.32
100-210XLC	3"	8.49	5.31	8.00	2.99	1.92	563.76
100-211XLC	4"	10.79	5.90	9.88	4.00	2.22	879.28



Valve Seat Rating

- 250 WOG
- Temperature rating: max. 250° F

Brass

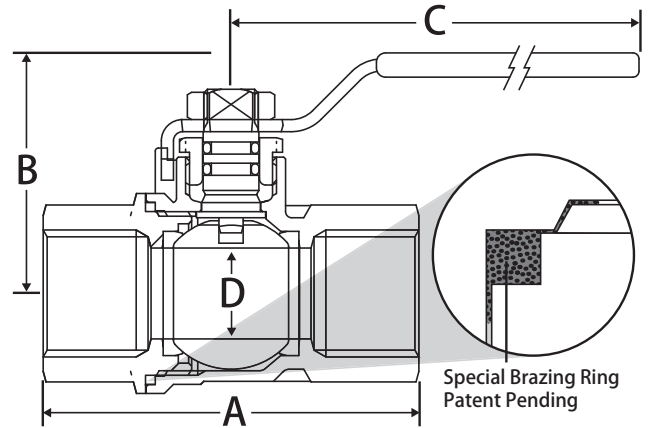
T-100SSS

2 Piece • Full Port • Threaded Connection • 600 WOG with Steam Trim

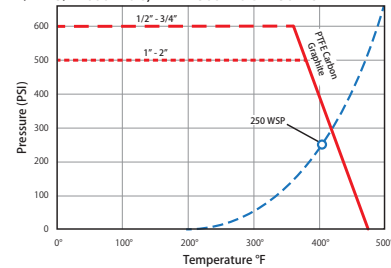


- Triple sealing stem with 2 Viton® o-rings and Teflon® seal
- Blow-out proof stem
- 250 WSP rating
- Patent pending design
- Special high temperature resistant handle
- 100% leak tested
- Made in Italy
- Leakproof stem - Lifetime Warranty

Part No.	Size	A	B	C	D	CV
100-533	1/2"	2.45	1.53	2.95	0.59	16.82
100-534	3/4"	2.71	1.95	3.74	0.79	34.80
100-535	1"	3.30	2.40	4.75	0.97	52.20
100-536	1-1/4"	3.80	2.59	4.75	1.23	112.52
100-537	1-1/2"	4.16	3.22	6.00	1.49	174.00
100-538	2"	5.00	3.40	6.00	1.99	255.20



Valve Seat Rating
1/2" - 3/4" 600 WOG, 1" - 2" 500 WOG - 250 WSP



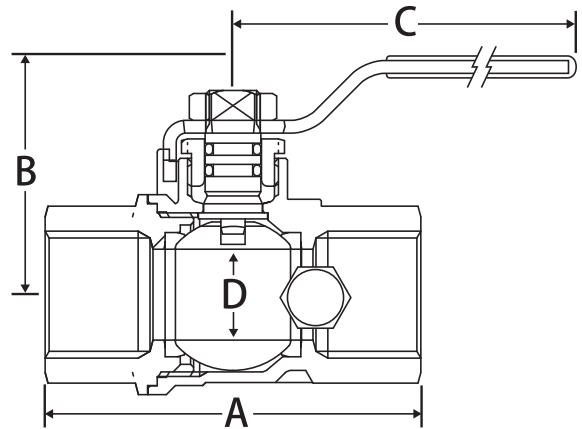
T-100STN

2 Piece • Full Port • Threaded Connection • 600 WOG with Side Tap

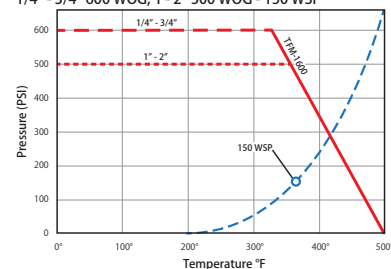


- Blow-out proof stem
- Triple sealing stem with 2 Viton® o-rings and Teflon® seal
- 3/8" - 1" have 1/8" FIP side tap
- 1-1/4" - 2" have 1/4" FIP side tap
- 100% leak tested
- Made in Italy
- Leakproof stem - Lifetime Warranty

Part No.	Size	A	B	C	D	CV
170-102	3/8"	2.02	1.41	2.95	0.39	7.77
170-103	1/2"	2.48	1.53	2.95	0.59	16.82
170-104	3/4"	2.76	1.95	3.74	0.79	34.80
170-105	1"	2.81	2.40	4.75	0.97	52.20
170-106	1-1/4"	4.03	2.59	4.75	1.23	112.52
170-107	1-1/2"	4.72	3.22	6.00	1.49	174.00
170-108	2"	5.23	3.40	6.00	1.99	255.20



Valve Seat Rating
1/4" - 3/4" 600 WOG, 1 - 2" 500 WOG - 150 WSP



Brass

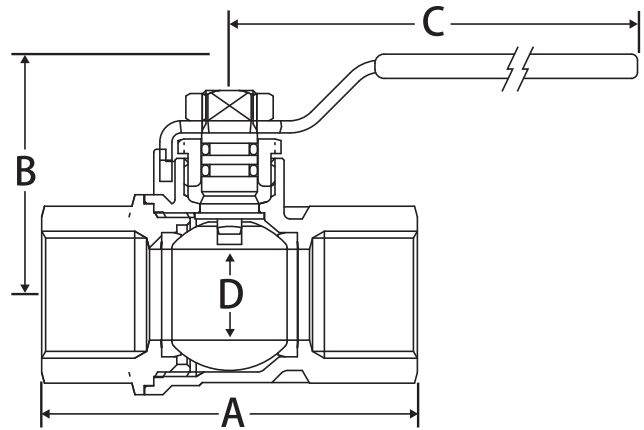
T-100SSE

2 Piece • Full Port • Threaded Connection • 600 WOG with Stainless Steel Trim



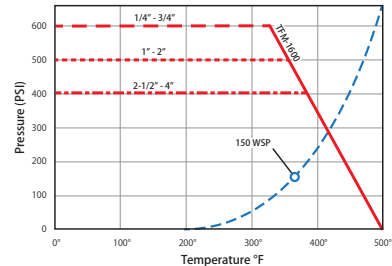
- Blow-out proof stem
- T.E.A. Ternary Eco Alloy® coated body
- Triple sealing stem with 2 Viton® o-rings and Teflon® seal
- 100% leak tested
- Made in Italy
- Leakproof stem - Lifetime Warranty

Part No.	Size	A	B	C	D	CV
100-501	1/4"	1.86	1.41	2.95	0.39	7.66
100-502	3/8"	1.86	1.41	2.95	0.39	7.77
100-503	1/2"	2.45	1.53	2.95	0.59	16.82
100-504	3/4"	2.71	1.95	3.74	0.79	34.80
100-505	1"	3.30	2.40	4.75	0.97	52.20
100-506	1-1/4"	3.80	2.59	4.75	1.23	112.52
100-507	1-1/2"	4.16	3.22	6.00	1.49	174.00
100-508	2"	5.00	3.40	6.00	1.99	255.20
100-509	2 1/2"	6.06	4.60	8.00	2.46	350.32
100-510	3"	7.08	4.90	8.00	2.99	563.76



Valve Seat Rating

1/4" - 3/4" 600 WOG, 1-2" 500 WOG, 2-1/2" - 4" 400 WOG - 150 WSP



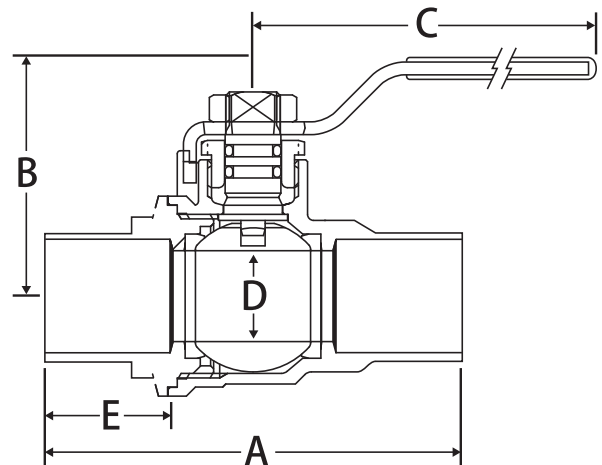
S-100SSE

2 Piece • Full Port • Solder Connection • 600 WOG with Stainless Steel Trim



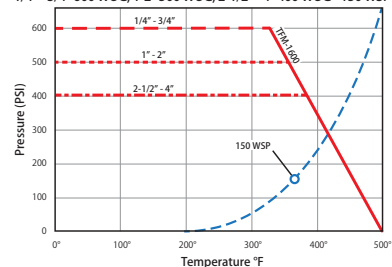
- Blow-out proof stem
- T.E.A. Ternary Eco Alloy® coated body
- Triple sealing stem with 2 Viton® o-rings and Teflon® seal
- 100% leak tested
- Made in Italy
- Leakproof stem - Lifetime Warranty

Part No.	Size	A	B	C	D	E	CV
100-513	1/2"	2.48	1.56	2.95	0.59	0.51	16.82
100-514	3/4"	3.26	2.05	3.74	0.79	0.76	34.80
100-515	1"	3.94	2.55	4.75	0.97	0.92	52.20
100-516	1-1/4"	4.50	2.66	4.75	1.23	0.98	112.52
100-517	1-1/2"	5.07	3.31	6.00	1.49	1.10	174.00
100-518	2"	6.22	3.60	6.00	1.99	1.34	255.20
100-519	2 1/2"	7.28	4.74	8.00	2.46	1.45	350.32
100-520	3"	8.48	5.05	8.00	2.99	1.63	563.76



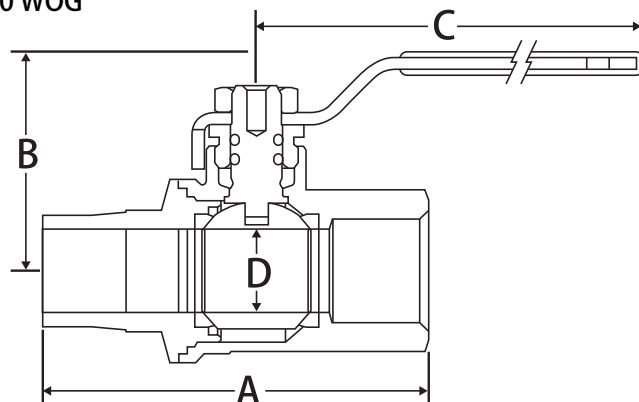
Valve Seat Rating

1/4" - 3/4" 600 WOG, 1-2" 500 WOG, 2-1/2" - 4" 400 WOG - 150 WSP



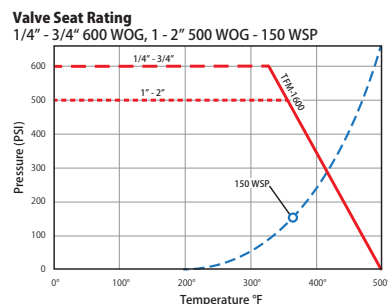
T-100FMN

2 Piece • Full Port • Male x Female Threaded Connection • 600 WOG



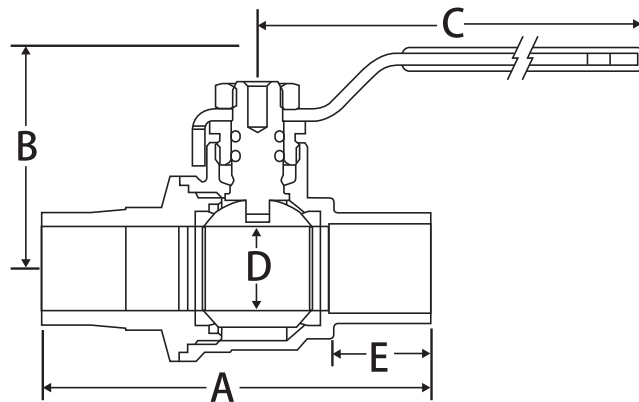
- Blow-out proof stem
- Triple sealing stem with 2 Viton® o-rings and Teflon® seal
- 100% leak tested
- Made in Italy
- Leakproof stem - Lifetime Warranty

Part No.	Size	A	B	C	D	CV
100-601	1/4"	2.29	1.41	2.95	0.39	7.66
100-602	3/8"	2.26	1.41	2.95	0.39	7.77
100-603	1/2"	2.75	1.53	2.95	0.59	16.82
100-604	3/4"	3.10	1.95	3.74	0.79	34.80
100-605	1"	3.68	2.40	4.75	0.97	52.20



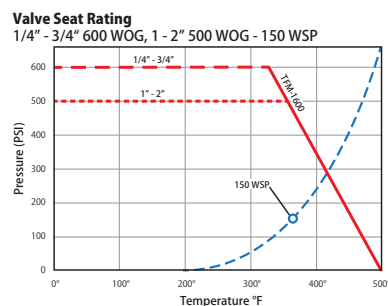
S-100FMN

2 Piece • Full Port • Male x Solder Connection • 600 WOG



- Blow-out proof stem
- Triple sealing stem with 2 Viton® o-rings and Teflon® seal
- 100% leak tested
- Made in Italy
- Leakproof stem - Lifetime Warranty

Part No.	Size	A	B	C	D	E	CV
100-613	1/2"	2.76	1.53	2.95	0.59	0.51	16.82
100-614	3/4"	3.37	1.95	3.74	0.79	0.76	34.80
100-615	1"	4.02	2.40	4.75	0.97	0.92	52.20



Brass

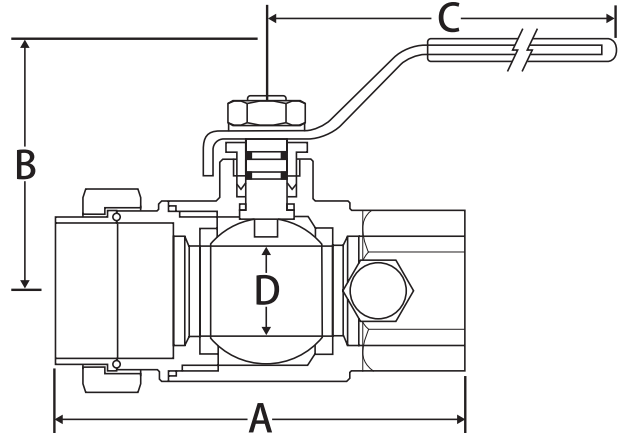
T-100UE

2 Piece • Full Port • Single Union End • Threaded Connection
600 WOG • with Side Tap



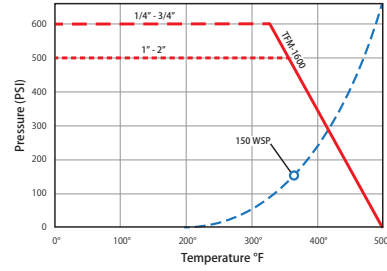
- 3/8" - 1" have 1/8" FIP side tap
- 1-1/4" - 2" have 1/4" FIP side tap
- Triple sealing stem with 2 Viton® o-rings and Teflon® seal
- Blow-out proof stem
- 100% leak tested
- Made in Italy
- Leakproof stem - Lifetime Warranty

Part No.	Size	A	B	C	D	CV
160-102	3/8"	2.93	1.41	2.95	0.39	7.77
160-103	1/2"	3.17	1.53	2.95	0.59	16.82
160-104	3/4"	3.52	1.88	3.74	0.79	34.80
160-105	1"	4.19	2.36	4.75	0.97	52.20
160-106	1-1/4"	5.01	2.59	4.75	1.23	112.52
160-107	1-1/2"	5.57	3.22	6.00	1.49	174.00
160-108	2"	6.31	3.50	6.00	1.99	255.20



Valve Seat Rating

1/4" - 3/4" 600 WOG, 1 - 2" 500 WOG - 150 WSP



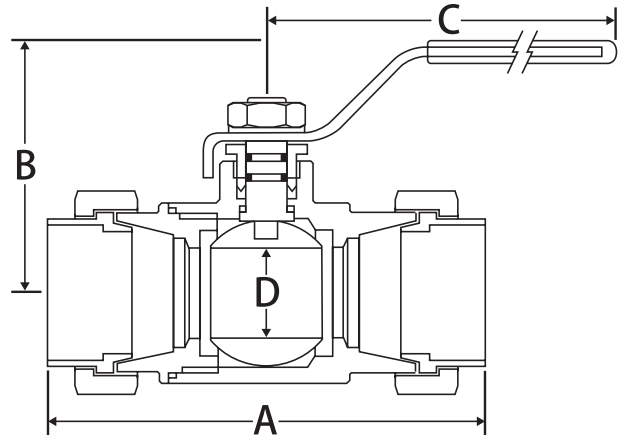
S-100DUE

2 Piece • Full Port • Double Union End • Solder Connection
600 WOG



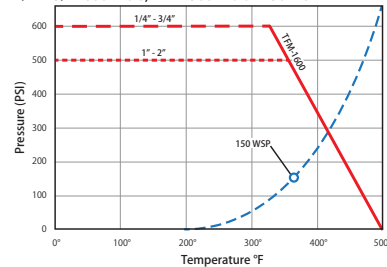
- Unions on inlet and outlet
- Triple sealing stem with 2 Viton® o-rings and Teflon® seal
- Blow-out proof stem
- Corrosion resistant brass
- 100% leak tested
- Made in Italy
- Leakproof stem - Lifetime Warranty

Part No.	Size	A	B	C	D	CV
160-503	1/2"	3.58	1.53	2.95	0.59	16.82
160-504	3/4"	3.93	1.92	3.74	0.79	34.80
160-505	1"	4.72	2.40	4.75	0.97	52.20
160-506	1-1/4"	5.27	2.60	4.75	1.23	112.52
160-507	1-1/2"	5.74	3.22	6.00	1.49	174.00
160-508	2"	6.33	3.50	6.00	1.99	255.20



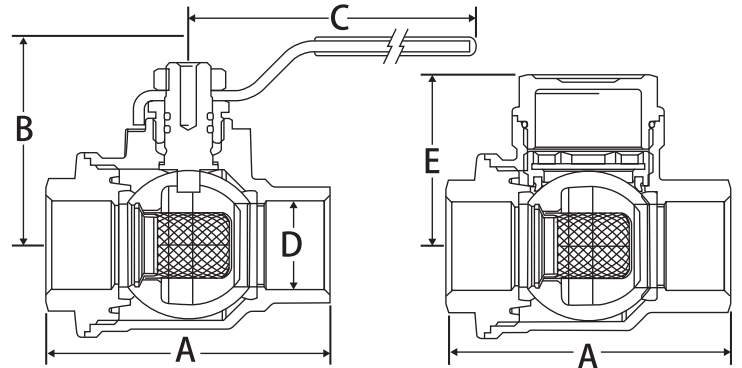
Valve Seat Rating

1/4" - 3/4" 600 WOG, 1 - 2" 500 WOG - 150 WSP



T-100FB

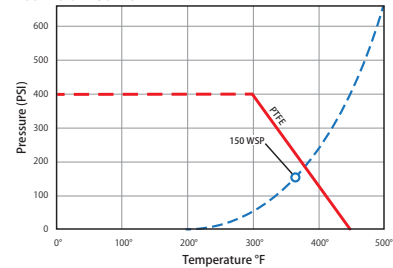
Full Port • Threaded Connections • 400 WOG
with Integrated Strainer



- Shipped standard with 304 SS 20 mesh screen
 - Also available: 40, 60, 80, 100
- Triple sealing stem with 2 Viton® o-rings and Teflon® seal
- Blow-out proof stem
- Corrosion resistant brass
- 100% leak tested
- Made in Italy
- Leakproof stem - Lifetime Warranty
- Reversible handle

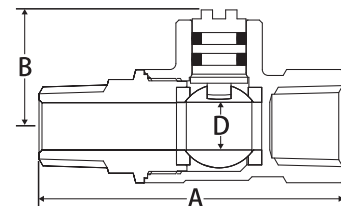
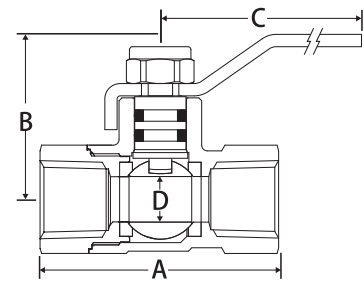
Part No.	Size	A	B	C	D	E	CV
100-833	1/2"	2.73	2.20	3.74	0.69	1.47	8.12
100-834	3/4"	3.03	2.40	4.72	0.89	1.73	8.70
100-835	1"	3.74	2.60	4.72	1.12	2.01	16.8
100-836	1-1/4"	4.73	3.23	5.91	1.40	2.36	23.2
100-837	1-1/2"	5.00	3.50	5.91	1.77	2.91	36.0
100-838	2"	6.06	4.72	7.87	2.20	3.54	69.6

Valve Seat Rating
400 WOG - 150 WSP



T-82-M

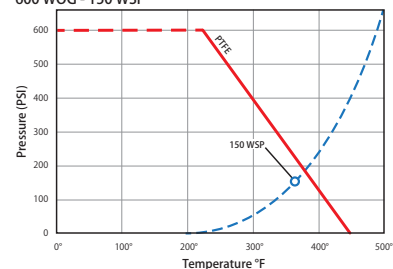
2 Piece • Full Port • Threaded Connection • Mini Valves • 600 WOG



- Greater flow rate
- Blow-out-proof stem
- Prevents stem leakage
- 2 Viton® o-rings
- Large raised wrench flats
- 100% leak tested
- Made in Italy
- Leakproof stem - Lifetime Warranty

Part No.	Size	A	B	C	D
100-295	1/4" FIP x 1/4" MIP*	2.01	0.77	-	0.31
100-296	1/4" FIP x 1/8" MIP*	1.96	0.77	-	0.31
100-297	1/8" FIP x 1/8" MIP	1.96	1.14	1.69	0.31
100-298	1/4" FIP x 1/8" MIP	1.96	1.14	1.69	0.31
100-299	1/4" FIP x 1/4" MIP	2.01	1.14	1.69	0.31
100-300	1/4" FIP x 1/4" FIP	1.65	1.14	1.69	0.31

Valve Seat Rating
600 WOG - 150 WSP



* Mini screwdriver slot handle

Brass

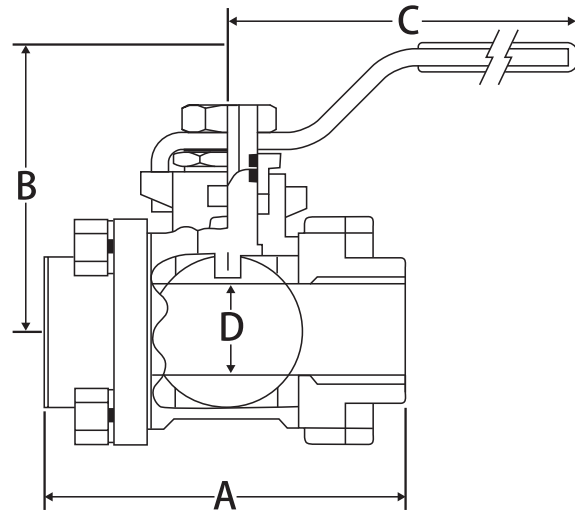
T-600-4B

3 Piece 4 Bolt • Full Port • Threaded Connection • 600 WOG

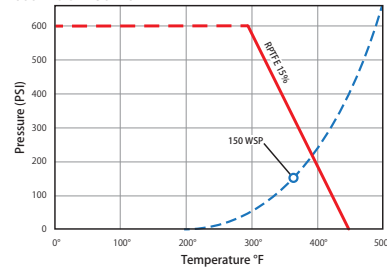


- Latch lock handle standard
- 100% leak tested
- 3 piece swing out body

Part No.	Size	A	B	C	D
500-603	1/2"	2.62	1.81	2.87	0.59
500-604	3/4"	2.93	2.40	4.67	0.79
500-605	1"	3.44	2.52	4.67	0.99
500-606	1-1/4"	3.96	3.11	5.86	1.26
500-607	1-1/2"	4.43	3.27	5.86	1.50
500-608	2"	5.55	3.62	7.87	1.97



Valve Seat Rating
600 WOG - 150 WSP



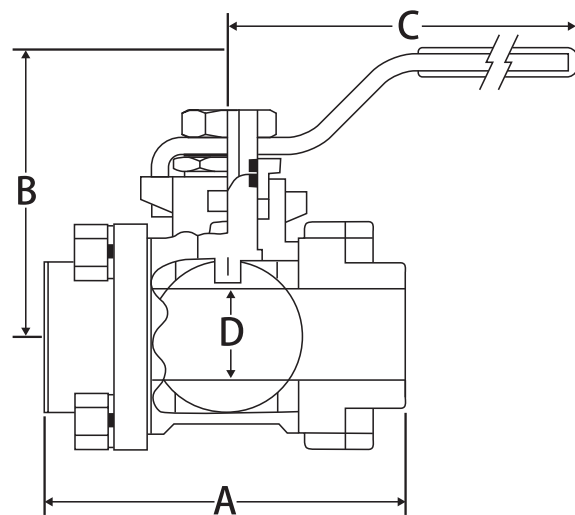
S-600-4B

3 Piece 4 Bolt • Full Port • Solder Connection • 600 WOG

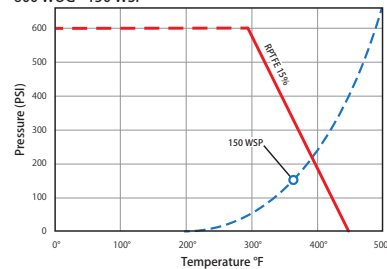


- Latch lock handle standard
- 100% leak tested
- 3 piece swing out body

Part No.	Size	A	B	C	D
500-613	1/2"	2.62	1.81	2.87	0.59
500-614	3/4"	2.93	2.40	4.67	0.79
500-615	1"	3.44	2.52	4.67	0.99
500-616	1-1/4"	3.96	3.11	5.86	1.26
500-617	1-1/2"	4.43	3.27	5.86	1.50
500-618	2"	5.55	3.62	7.87	1.97



Valve Seat Rating
600 WOG - 150 WSP



Medical Gas

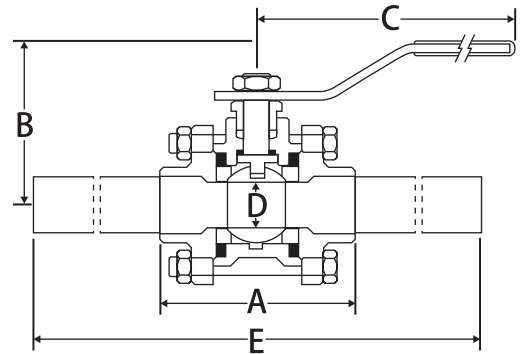
S-650-CE-4B

3 Piece 4 Bolt • Cleaned for Medical Gas • Copper Stub Connection • 600 WOG



- NFPA-99C standard
- Available with none, one or two gauge purge ports
- "K" copper tubing extensions
- silver brazed
- Latch lock handle is standard
- Oxygen cleaned
- 100% leak tested

Part No.	Size	A	B	C	D	E
500-803	1/2"	2.64	1.81	2.87	0.59	17.50
500-804	3/4"	2.95	2.44	4.67	0.79	17.50
500-805	1"	3.46	2.56	4.67	0.99	19.00
500-806	1-1/4"	3.97	3.11	5.86	1.26	20.00
500-807	1-1/2"	4.45	3.27	5.86	1.50	23.50
500-808	2"	5.55	3.66	7.87	1.97	26.00

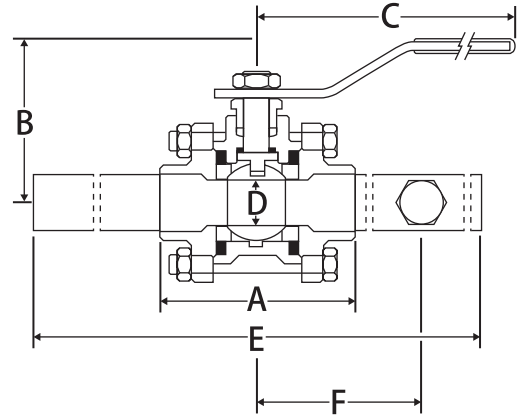


S-675-GP-4B

3 Piece 4 Bolt • Cleaned for Medical Gas • Copper Stub Connection • with Single Gauge Port • 600 WOG



Part No.	Size	A	B	C	D	E	F
500-823	1/2"	2.64	1.81	2.87	0.59	17.50	5.00
500-824	3/4"	2.95	2.44	4.67	0.79	17.50	5.00
500-825	1"	3.46	2.56	4.67	0.99	19.00	5.00
500-826	1-1/4"	3.97	3.11	5.86	1.26	20.00	6.50
500-827	1-1/2"	4.45	3.27	5.86	1.50	23.50	6.50
500-828	2"	5.55	3.66	7.87	1.97	26.00	6.50

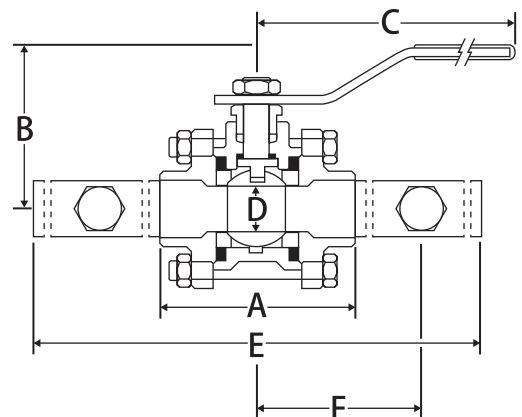


S-675-DGP-4B

3 Piece 4 Bolt • Cleaned for Medical Gas • Copper Stub Connection • with Double Gauge Port • 600 WOG



Part No.	Size	A	B	C	D	E	F
500-833	1/2"	2.64	1.81	2.87	0.59	17.50	5.00
500-834	3/4"	2.95	2.44	4.67	0.79	17.50	5.00
500-835	1"	3.46	2.56	4.67	0.99	19.00	5.00
500-836	1-1/4"	3.97	3.11	5.86	1.26	20.00	6.50
500-837	1-1/2"	4.45	3.27	5.86	1.50	23.50	6.50
500-838	2"	5.55	3.66	7.87	1.97	26.00	6.50

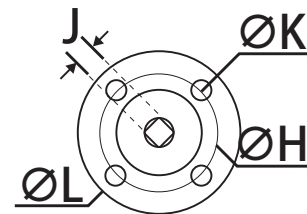
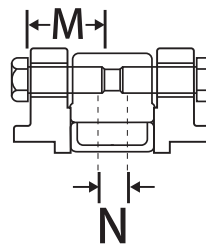
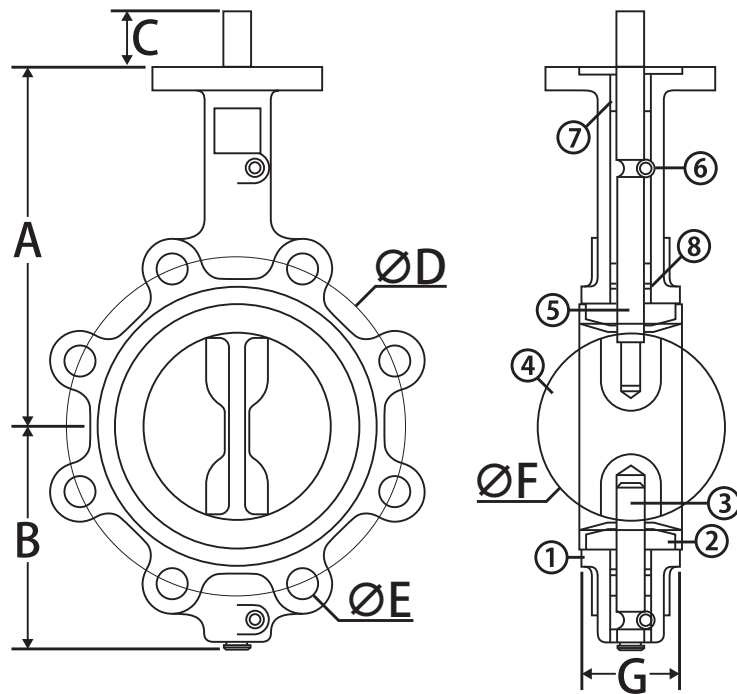


Butterfly Valves

Series 600 - Lug Type MSS

Lug Style • Epoxy-Coated Ductile Iron Body

- Designed for commercial and industrial applications up to 200 PSI
- Easily accepts actuator with ISO 5211 mounting flange
- Available in EPDM, PTFE, Buna, or Viton seats
- Meets API 609 & MSS SP-67
- Seat to flange seal eliminates the need for flange gaskets
- Series 600 Lug bodies are bidirectional for dead end service
- Epoxy coated finish
- Ideal for mounting pneumatic/electrical actuators
- Square stem for direct mount



	Seat Temperature Ranges				
	Size	Buna-N	EPDM	Viton	PTFE
Temperature range (°F)	2" - 36"	10 to 180	-30 to 250	10 to 275	-20 to 250
Inline service (psi)	2" - 12"	200	200	200	200
	14" - 36"	150	150	150	150
Dead end service w/down stream flange (psi)	2" - 12"	200	200	200	100
Dead end service w/o down stream flange (psi)	2" - 12"	100	100	100	50

When ordering butterfly valves please specify the seat in the _ space with the following letter designations.

E = EPDM P = PTFE V = VITON B = BUNA

Part No.	Size	A	B	C	D	E	F	G	H	J	K	L	Weight
600-02DS_L	2"	6.34	3.15	1.26	4.74	4 : 5/8"	2.07	1.65	1.97	0.35	4 : 0.28	3.03	8.38
600-212DS_L	2-1/2"	6.89	3.50	1.26	5.50	4 : 5/8"	2.54	1.76	1.97	0.35	4 : 0.28	3.03	9.26
600-03DS_L	3"	7.13	3.74	1.26	6.00	4 : 5/8"	3.10	1.78	1.97	0.35	4 : 0.28	3.03	10.36
600-04DS_L	4"	7.87	4.49	1.26	7.50	8 : 5/8"	4.09	2.05	2.76	0.43	4 : 0.35	3.54	19.84
600-05DS_L	5"	8.39	5.00	1.26	8.50	8 : 3/4"	4.85	2.14	2.76	0.55	4 : 0.35	3.54	24.03
600-06DS_L	6"	8.90	5.47	1.26	9.51	8 : 3/4"	6.13	2.20	2.76	0.55	4 : 0.35	3.54	31.31
600-08DS_B	8"	10.24	6.89	1.61	11.75	8 : 3/4"	7.97	2.39	4.02	0.67	4 : 0.47	4.92	40.12
600-10DS_B	10"	11.50	7.99	1.61	14.25	12 : 7/8"	9.86	2.58	4.02	0.87	4 : 0.47	4.92	59.08
600-12DS_B	12"	13.27	9.53	1.61	17.01	12 : 7/8"	11.87	3.03	4.02	0.87	4 : 0.47	5.51	88.18
600-14DS_B	14"	14.49	10.55	1.77	18.74	12 : 1"	13.12	3.01	4.02	0.87	4 : 0.47	5.51	123.46
600-16DS_B	16"	15.75	12.17	2.02	21.26	16 : 1"	15.34	3.41	5.51	0.94	4 : 0.71	7.76	211.64
600-18DS_B	18"	16.54	12.91	2.02	22.76	16 : 1-1/8"	17.34	4.16	5.51	1.06	4 : 0.71	7.76	268.96
600-20DS_B	20"	18.90	14.21	2.53	25.00	20 : 1-1/8"	19.35	5.19	5.51	1.42	4 : 0.71	7.76	445.33
600-24DS_B	24"	22.13	18.07	2.76	29.51	20 : 1-1/4"	23.33	5.98	6.50	1.42	4 : 0.91	10.87	595.25
600-30DS_B*	30"	25.98	21.22				29.30	6.50					939.17
600-36DS_B*	36"	28.35	25.83				34.04	7.99					1604.96

*U-type Butterfly Valve, dimensions and drawings available upon request.

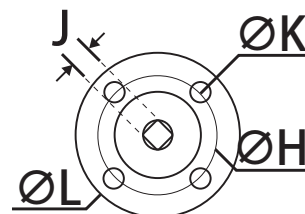
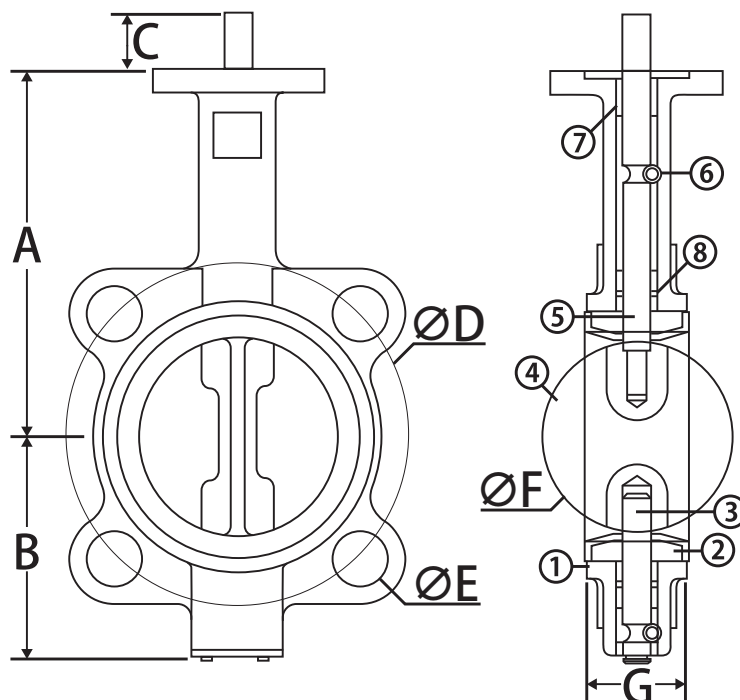
Butterfly Valves

Series 900 - Wafer Type

(MSS)

Wafer Style • Epoxy-Coated Ductile Iron Body

- Designed for commercial and industrial applications up to 200 PSI
- Easily accepts actuator with ISO 5211 mounting flange
- Available in EPDM, PTFE, Buna, or Viton seats
- Meets API 609 & MSS SP-67
- Seat to flange seal eliminates the need for flange gaskets
- Epoxy coated finish
- Ideal for mounting pneumatic/electrical actuators
- Square stem for direct mount



Seat Temperature Ranges					
Size	Buna-N	EPDM	Viton	PTFE	
Temperature range (°F)	2" - 36"	10 to 180	-30 to 250	10 to 275	-20 to 250
Inline service (psi)	2" - 12"	200	200	200	200
	14" - 36"	150	150	150	150

When ordering butterfly valves please specify the seat in the _ space with the following letter designations.
 E = EPDM P = PTFE V = VITON B = BUNA

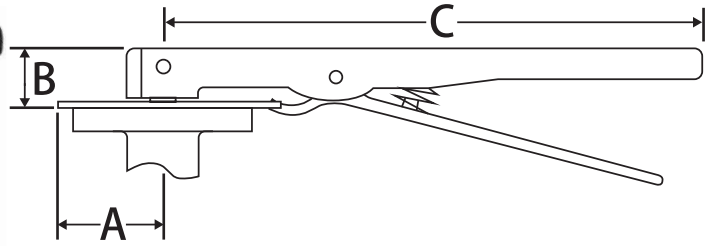
Part No.	Size	A	B	C	D	E	F	G	H	J	K	L	Weight
900-02DS_L	2"	6.34	3.15	1.26	4.74	4:0.75	2.07	1.65	1.97	0.35	4:0.28	3.03	5.51
900-212DS_L	2-1/2"	6.89	3.50	1.26	5.50	4:0.75	2.54	1.76	1.97	0.35	4:0.28	3.03	7.05
900-03DS_L	3"	7.13	3.74	1.26	6.00	4:0.75	3.10	1.78	1.97	0.35	4:0.28	3.03	8.38
900-04DS_L	4"	7.87	4.49	1.26	7.50	8:0.75	4.09	2.05	2.76	0.43	4:0.35	3.54	10.80
900-05DS_L	5"	8.39	5.00	1.26	8.50	8:0.87	4.85	2.14	2.76	0.55	4:0.35	3.54	15.43
900-06DS_L	6"	8.90	5.47	1.26	9.51	8:0.87	6.13	2.20	2.76	0.55	4:0.35	3.54	17.20
900-08DS_B	8"	10.24	6.89	1.61	11.75	8:0.87	7.97	2.39	4.02	0.67	4:0.47	4.92	29.10
900-10DS_B	10"	11.50	7.99	1.61	14.25	12:0.98	9.86	2.58	4.02	0.87	4:0.47	4.92	42.33
900-12DS_B	12"	13.27	9.53	1.61	17.01	12:0.98	11.87	3.03	4.02	0.87	4:0.47	5.51	71.65
900-14DS_B	14"	14.49	10.51	1.77	18.74	12:1.14	13.12	3.01	4.02	0.87	4:0.47	5.51	91.05
900-16DS_B	16"	15.75	12.17	2.02	21.26	16:1.14	15.34	3.41	5.51	0.94	4:0.71	7.76	134.48
900-18DS_B	18"	16.61	12.91	2.02	22.76	16:1.26	17.34	4.16	5.51	1.06	4:0.71	7.76	174.16
900-20DS_B	20"	18.90	14.21	2.53	25.00	20:1.26	19.35	5.19	5.51	1.42	4:0.71	7.76	282.19
900-24DS_B	24"	22.13	18.07	2.76	29.51	20:1.38	23.33	5.98	6.50	1.42	4:0.91	10.87	414.47
900-30DS_B	30"	25.98	21.22	2.60	36.00	28:1.38	29.30	6.50	10.00	-*	8:0.71	11.81	723.12
900-36DS_B	36"	28.35	25.83	4.65	41.34	32:1.61	34.04	7.99	10.00	-*	8:0.71	11.81	1571.89

*Stem is round with key, dimensions and drawings available upon request.

Butterfly Accessories

Butterfly Lever

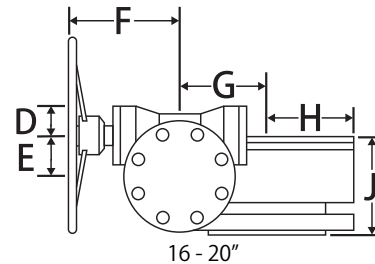
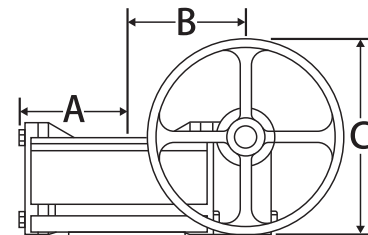
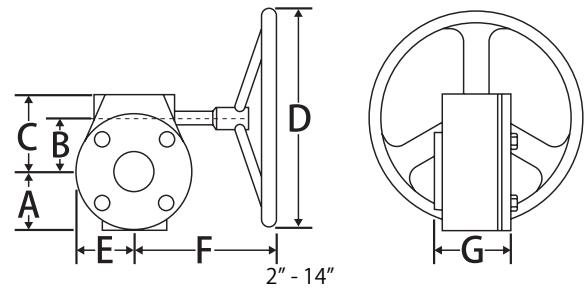
Ten-position Lockable Lever Handle



Part No.	Size	A	B	C
BLH2-3	2" - 3"	2.00	1.26	10.64
BLH4	4"	2.00	1.26	10.64
BLH5-6	5" - 6"	2.00	1.26	10.64
BLH8	8"	4.30	1.77	14.18
BLH10	10"	5.84	1.77	19.70
BLH12	12"	5.80	1.77	19.70

Butterfly Gear Operator

Butterfly Gear Operator



Part No.	Size	A	B	C	D	E	F	G	H	J
BGO2-3	2" - 3"	2.05	1.77	2.92	5.91	2.05	6.00	2.96	-	-
BGO4	4"	2.05	1.77	2.92	5.91	2.05	6.00	2.96	-	-
BGO5-6	5" - 6"	2.05	1.77	2.92	5.91	2.05	6.00	2.96	-	-
BGO8	8"	2.96	2.47	3.98	11.82	2.96	9.85	3.39	-	-
BGO10	10"	2.96	2.47	3.98	11.82	2.96	9.85	3.39	-	-
BGO12-14	12" - 14"	3.19	3.15	4.65	11.82	3.19	8.94	3.27	-	-
BGO16	16"	4.76	7.03	11.81	2.22	2.60	6.85	4.09	4.53	4.94
BGO18	18"	4.76	7.03	11.81	2.22	2.60	6.85	4.09	4.53	4.94
BGO20	20"	4.76	7.03	11.81	2.22	2.60	6.85	4.09	4.53	4.94

Y-Strainer

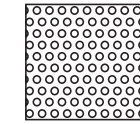
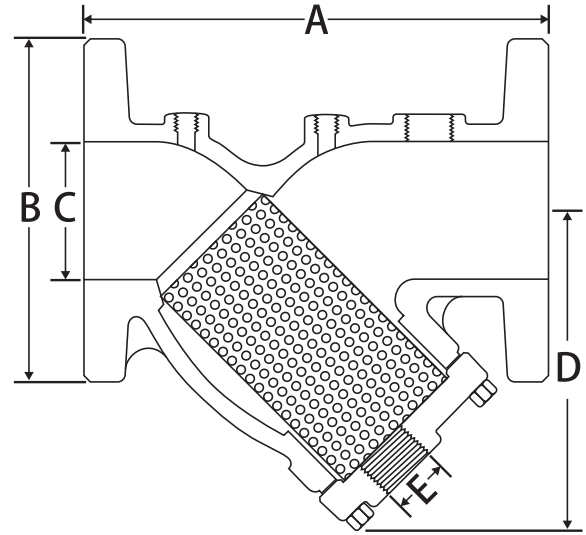
Y-Strainer

Cast Iron Y-Strainer • Flanged Connection • 200 WOG
with Stainless Steel Screen

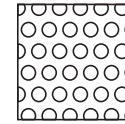


- 304 perforated screens
- (3) additional accessory taps
- Flanges - ANSI 125lbs
- Standard screens:
 - 2-1/2 - 4": 1/16 perforations
 - 6 - 8": 1/8 perforations

Part No.	Size	A	B	C	D	E
600-309	2-1/2"	10.00	7.00	2.50	6.50	1.00
600-310	3"	10.13	7.50	3.00	7.00	1.00
600-311	4"	12.13	9.00	4.00	8.25	1.50
600-313	6"	18.50	11.00	6.00	13.50	2.00
600-314	8"	21.63	13.50	8.00	15.50	2.00



.0625 DIA
98 Holes Per Inch



.125 DIA
29 Holes Per Inch

Check Valves

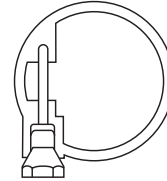
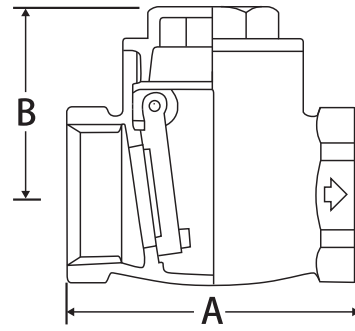
T-501

Horizontal Swing Check Valve • Threaded Connection • 200 WOG



• Residential and commercial applications

Part No.	Size	A	B
105-103	1/2"	2.13	1.54
105-104	3/4"	2.33	1.62
105-105	1"	2.72	1.77
105-106	1-1/4"	3.11	2.01
105-107	1-1/2"	3.51	2.25
105-108	2"	4.30	2.68
105-109	2-1/2"	5.32	3.35
105-110	3"	6.30	3.86
105-111	4"	7.49	4.53



Valve Seat Rating

• 200 WOG

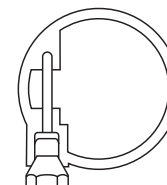
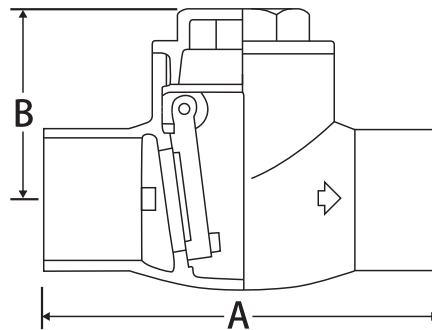
S-501

Horizontal Swing Check Valve • Solder Connection • 200 WOG



• Residential and commercial applications

Part No.	Size	A	B
105-203	1/2"	2.52	1.54
105-204	3/4"	1.54	1.62
105-205	1"	3.90	1.77
105-206	1-1/4"	4.37	2.01
105-207	1-1/2"	4.96	2.25
105-208	2"	5.99	2.68



Valve Seat Rating

• 200 WOG

Check Valves

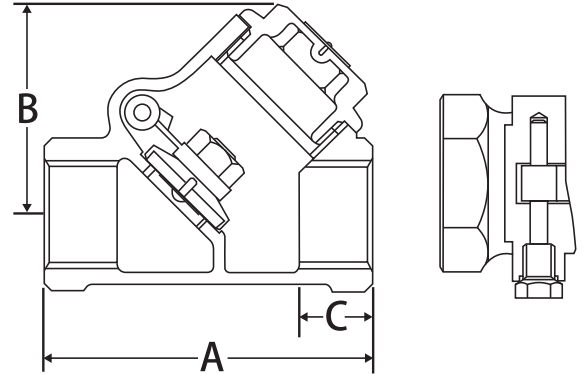
T-511

Y-pattern Swing Check Valve • Threaded Connection • 300 WOG

MSS

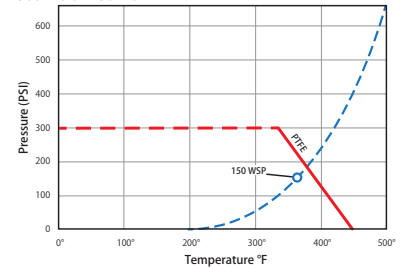


- Constructed of 85-5-5-5 bronze
- Vertical or horizontal positions



Part No.	Size	A	B	C
105-303	1/2"	2.36	1.77	0.54
105-304	3/4"	2.76	1.97	0.57
105-305	1"	3.40	2.28	0.70
105-306	1-1/4"	3.78	2.67	0.71
105-307	1-1/2"	4.57	2.95	0.75
105-308	2"	5.35	3.70	0.79
105-309	2-1/2"	6.72	4.65	1.14
105-310	3"	7.55	5.47	1.18

Valve Seat Rating
300 WOG - 150 WSP



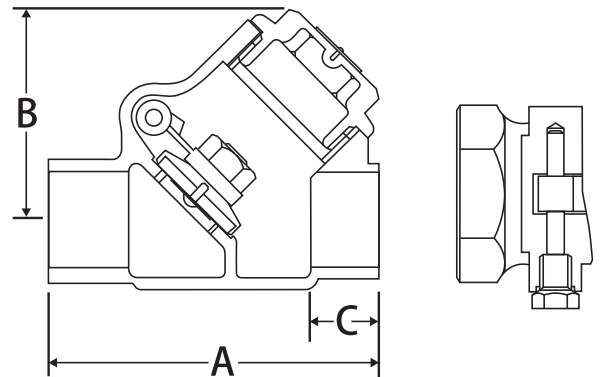
S-511

Y-pattern Swing Check Valve • Solder Connection • 300 WOG

MSS

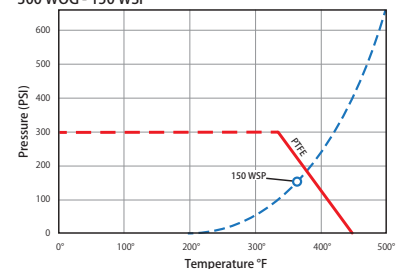


- Constructed of 85-5-5-5 bronze
- Vertical or horizontal positions



Part No.	Size	A	B	C
105-403	1/2"	2.60	1.77	0.50
105-404	3/4"	3.39	1.97	0.75
105-405	1"	4.09	2.28	0.91
105-406	1-1/4"	4.72	2.67	0.97
105-407	1-1/2"	5.39	2.95	1.09
105-408	2"	6.69	3.70	1.34
105-309	2-1/2"	7.64	4.55	1.47
105-310	3"	8.74	5.37	1.66

Valve Seat Rating
300 WOG - 150 WSP



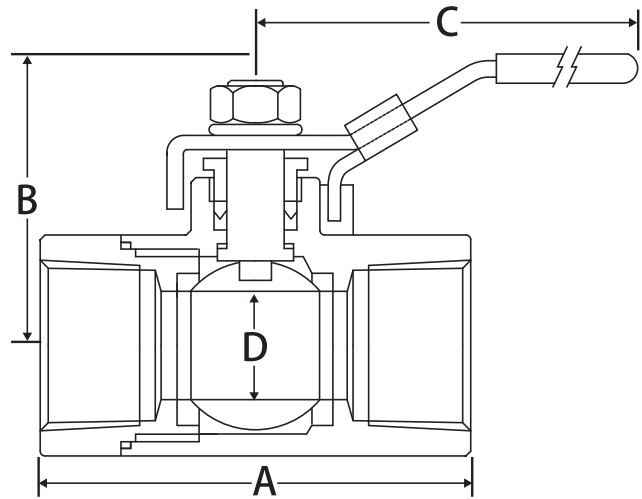
Stainless Steel

T-SS-2000N

2 Piece • Standard Port • Threaded Connection • 2000 WOG

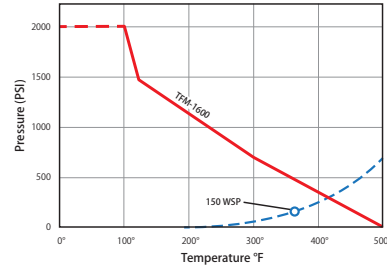


- Solid ball construction
- Latch lock handle, may be locked in open or closed positions
- 29 in-HG vacuum rating
- 100% leak tested



Part No.	Size	A	B	C	D
100-931	1/4"	2.34	1.94	4.06	0.44
100-932	3/8"	2.34	1.94	4.06	0.49
100-933	1/2"	2.34	1.94	4.06	0.49
100-934	3/4"	2.63	2.21	4.06	0.59
100-935	1"	2.98	2.49	4.29	0.79
100-936	1-1/4"	3.49	3.08	5.71	0.98
100-937	1-1/2"	3.84	3.24	5.71	1.26
100-938	2"	4.80	3.66	7.09	1.50

Valve Seat Rating
2000 WOG - 150 WSP

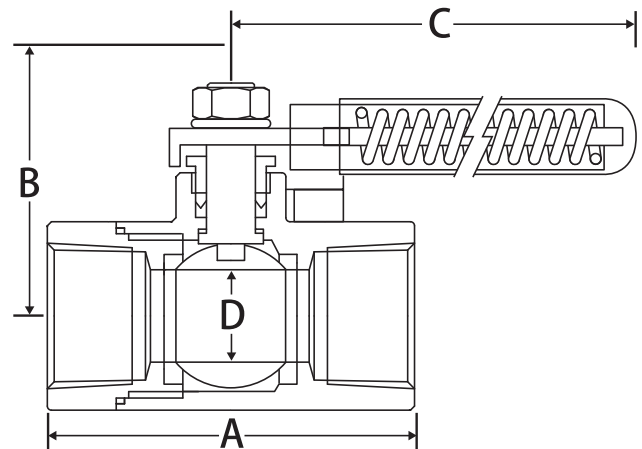


T-SS-2000N-DH

2 Piece • Standard Port • Threaded Connection • 2000 WOG with Spring Return Handle



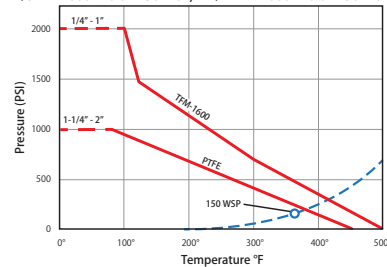
- 1-1/4" - 2" 3 piece, 4 bolt pattern
- Solid ball construction
- 29 in-HG vacuum rating
- Latch lock handle, may be locked in open or closed positions
- 100% leak tested



Part No.	Size	A	B	C	D
100-931DH	1/4"	2.07	1.76	7.09	0.37
100-932DH	3/8"	2.07	1.76	7.09	0.37
100-933DH	1/2"	2.34	1.92	7.09	0.50
100-934DH	3/4"	2.80	2.40	7.28	0.69
100-935DH	1"	3.23	2.56	7.28	0.87
100-936DH*	1-1/4"	4.33	2.71	8.66	1.38
100-937DH*	1-1/2"	4.75	3.22	11.02	1.63
100-938DH*	2"	5.52	3.55	11.02	1.97

*1-1/4" - 2" 3 piece, 4 bolt pattern

Valve Seat Rating
1/3 - 1" 2000 WOG - 150 WSP, 1-1/4" - 2" 1000 WOG - 150 WSP



Stainless Steel

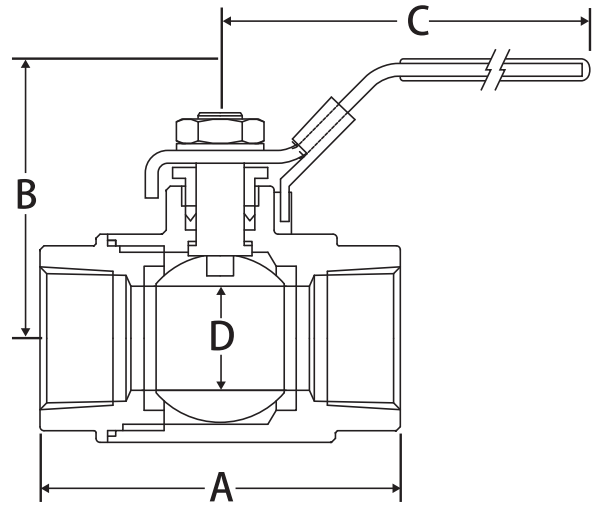
T-SS-1001N

2 Piece • Full Port • Threaded Connection • 1000 WOG

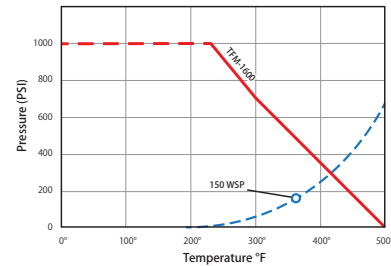


- Solid ball construction
- Latch lock handle, may be locked in open or closed positions
- 29 in-HG vacuum rating
- 100% leak tested

Part No.	Size	A	B	C	D
100-961	1/4"	2.20	2.20	4.21	0.43
100-962	3/8"	2.20	2.20	4.21	0.43
100-963	1/2"	2.60	2.30	4.21	0.56
100-964	3/4"	2.99	2.79	5.73	0.81
100-965	1"	3.54	2.96	5.73	1.00
100-966	1-1/4"	3.94	3.56	7.45	1.25
100-967	1-1/2"	4.41	3.84	7.45	1.50
100-968	2"	5.00	4.24	8.08	1.97



Valve Seat Rating
1000 WOG - 150 WSP



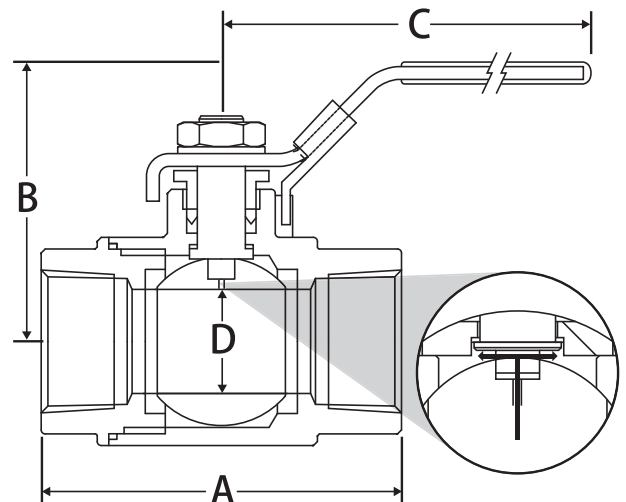
T-SS-1001N-VB

2 Piece • Full Port • Threaded Connection • 1000 WOG with Vented Ball

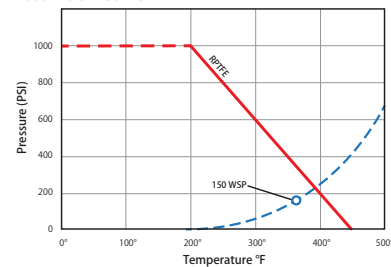


- Solid ball construction
- Latch lock handle, may be locked in open or closed positions
- 100% leak tested
- AVS Medium vacuum rating

Part No.	Size	A	B	C	D
100-961VB	1/4"	2.20	2.20	4.21	0.43
100-962VB	3/8"	2.20	2.20	4.21	0.43
100-963VB	1/2"	2.60	2.30	4.21	0.56
100-964VB	3/4"	2.99	2.79	5.73	0.81
100-965VB	1"	3.54	2.96	5.73	1.00
100-966VB	1-1/4"	3.94	3.56	7.45	1.25
100-967VB	1-1/2"	4.41	3.84	7.45	1.50
100-968VB	2"	5.00	4.24	8.08	1.97



Valve Seat Rating
1000 WOG - 150 WSP



Stainless Steel

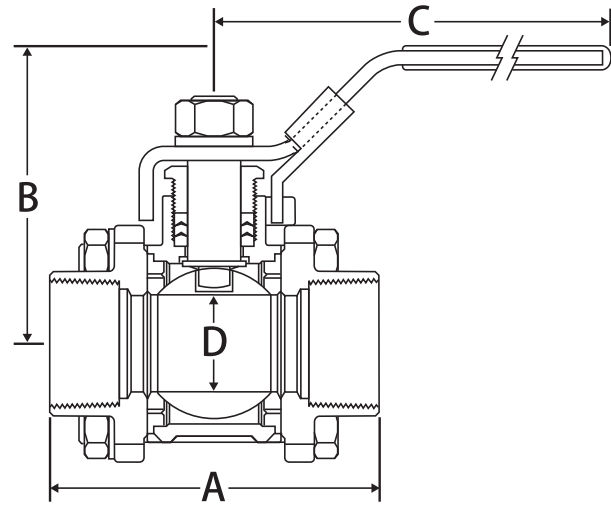
T-SS-1000N-4B

3 Piece 4 Bolt • Swing Out Body • Full Port • Threaded Connection • 1000 WOG

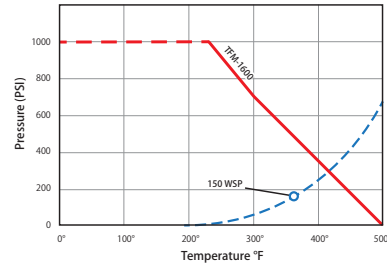


- Latch lock handle, may be locked in open or closed positions
- 29 in-HG vacuum rating
- Repair kit available
- 100% leak tested

Part No.	Size	A	B	C	D
500-301	1/4"	2.37	2.18	4.30	0.37
500-302	3/8"	2.37	2.18	4.30	0.37
500-303	1/2"	2.76	2.38	4.30	0.56
500-304	3/4"	3.03	2.87	5.81	0.81
500-305	1"	3.63	2.95	5.81	1.00
500-306	1-1/4"	4.14	3.66	7.44	1.25
500-307	1-1/2"	4.73	3.94	7.44	1.50
500-308	2"	5.43	4.25	7.81	1.97
500-310	3"	7.52	5.26	9.75	3.00
500-311	4"	8.54	6.57	11.88	3.93



Valve Seat Rating
1000 WOG - 150 WSP



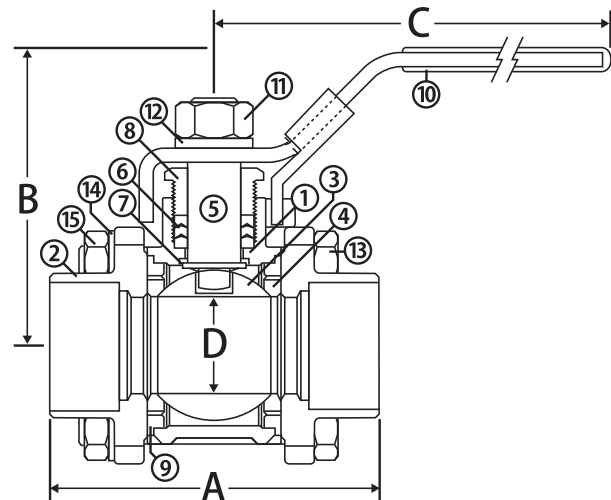
S-SS-1000N-4B

3 Piece 4 Bolt • Swing Out Body • Full Port Socket Weld • 1000 WOG

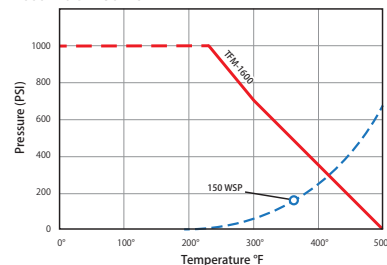


- Latch lock handle, may be locked in open or closed positions
- 29 in-HG vacuum rating
- Repair kit available
- 100% leak tested

Part No.	Size	A	B	C	D
500-341	1/4"	2.37	2.18	4.30	0.43
500-342	3/8"	2.37	2.18	4.30	0.43
500-343	1/2"	2.76	2.38	4.30	0.56
500-344	3/4"	3.03	2.87	5.81	0.81
500-345	1"	3.63	2.95	5.81	1.00
500-346	1-1/4"	4.14	3.66	7.44	1.25
500-347	1-1/2"	4.73	3.94	7.44	1.50
500-348	2"	5.43	4.25	7.81	1.97
500-350	3"	7.52	5.26	9.75	3.00
500-351	4"	8.54	6.57	11.88	3.93



Valve Seat Rating
1000 WOG - 150 WSP



Stainless Steel

T-SS-1000N-4B-VB

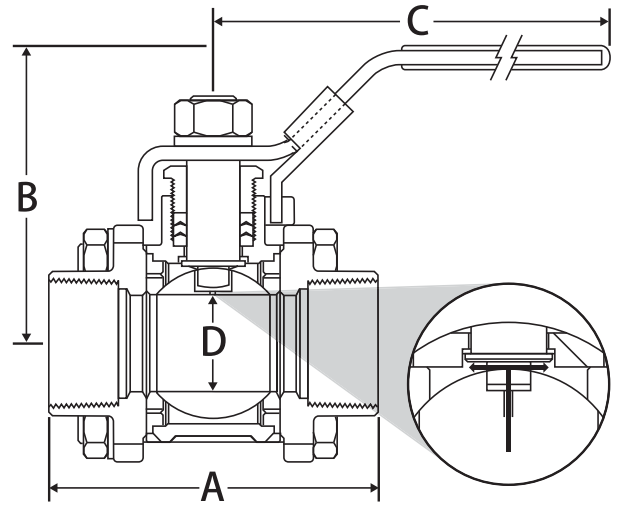
3 Piece 4 Bolt • Swing Out Body • Full Port • Threaded Connection 1000 WOG • with Vented Ball

MSS

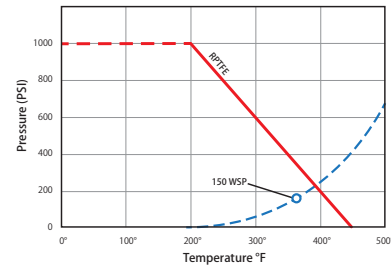


- Latch lock handle, may be locked in open or closed positions
- 100% leak tested
- Repair kit available
- AVS Medium vacuum rating

Part No.	Size	A	B	C	D
500-301VB	1/4"	2.37	2.18	4.30	0.43
500-302VB	3/8"	2.37	2.18	4.30	0.43
500-303VB	1/2"	2.76	2.38	4.30	0.56
500-304VB	3/4"	3.03	2.87	5.81	0.81
500-305VB	1"	3.63	2.95	5.81	1.00
500-306VB	1-1/4"	4.14	3.66	7.44	1.25
500-307VB	1-1/2"	4.73	3.94	7.44	1.50
500-308VB	2"	5.43	4.25	7.81	1.97
500-310VB	3"	7.52	5.26	9.75	3.00
500-311VB	4"	8.54	6.57	11.88	3.93



Valve Seat Rating
1000 WOG - 150 WSP



T-SS-1000

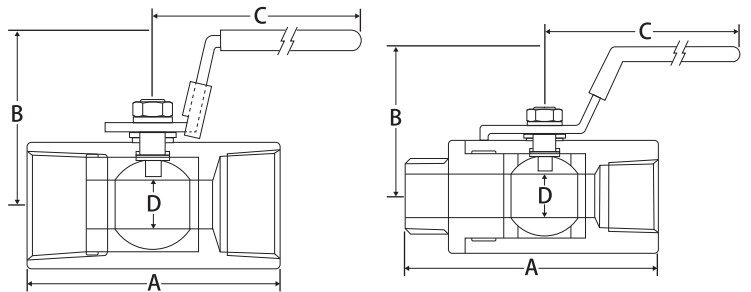
1 Piece • Full Port • Threaded Connection • 1000 WOG

MSS

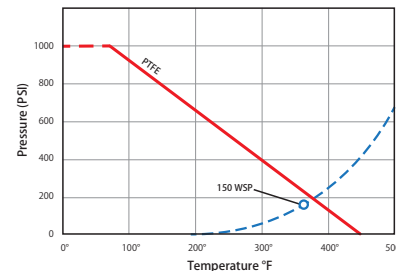


- Solid ball construction
- 29 in-HG vacuum rating
- Corrosion resistant
- 100% leak tested

Part No.	Size	A	B	C	D
500-098	1/8" FIP x 1/8" MIP	2.00	1.22	2.44	0.20
500-099	1/4" FIP x 1/4" MIP	2.32	1.50	3.45	0.30
500-100	1/4" FIP x 1/4" FIP	1.57	1.22	2.44	0.20
500-101	1/4" FIP x 1/4" FIP	1.57	1.42	3.45	0.20
500-102	3/8" FIP X 3/8" FIP	1.77	1.50	3.45	0.38



Valve Seat Rating
1000 WOG - 150 WSP



Stainless Steel

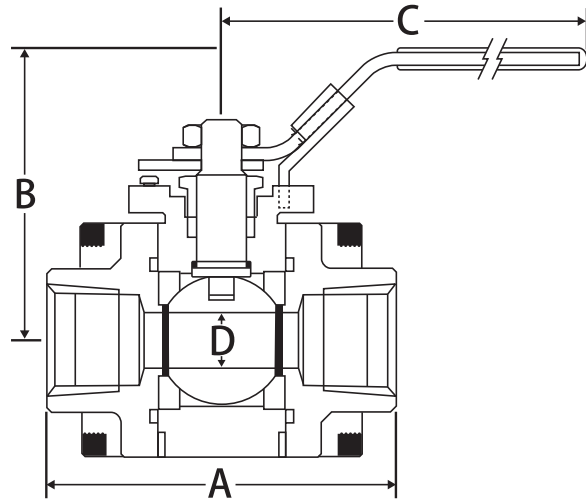
T-SS-2001N-4B

3 Piece 4 Bolt Enclosed • Standard Port • Threaded Connection 2000 WOG

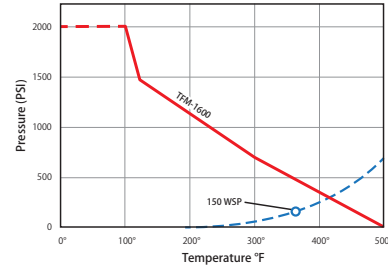


- Latch lock handle
- Reversible handle for multiple applications
- Solid ball construction
- Blow out proof stem
- Latch lock handle may be locked in open or closed position
- ISO 5211 mounting pad for actuation
- 29 in-HG vacuum rating
- Fire safe rated
- 100% leak tested

Part No.	Size	A	B	C	D
601-603	1/2"	2.72	2.47	4.15	0.43
601-604	3/4"	2.94	2.70	4.15	0.55
601-605	1"	3.50	3.19	5.00	0.81
601-606	1-1/4"	3.90	3.64	5.98	0.98
601-607	1-1/2"	4.42	3.88	7.76	1.25
601-608	2"	5.04	4.09	7.76	1.50



Valve Seat Rating
2000 WOG - 150 WSP



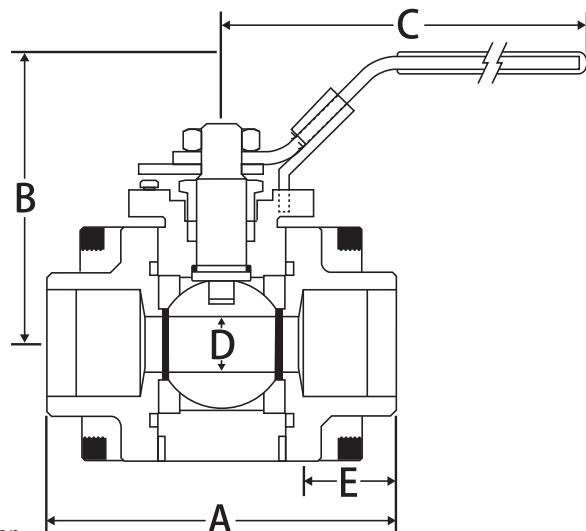
S-SS-2001N-4B

3 Piece 4 Bolt Enclosed • Standard Port • Socket Weld • 2000 WOG

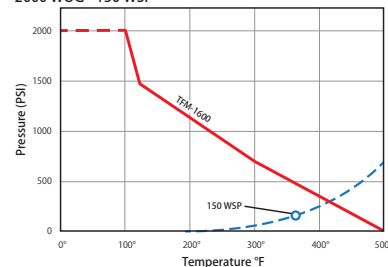


- Latch lock handle
- Reversible handle for multiple applications
- Solid ball construction
- Blow out proof stem
- Latch lock handle may be locked in open or closed position
- ISO 5211 mounting pad for actuation
- 29 in-HG vacuum rating
- Fire safe rated
- 100% leak tested

Part No.	Size	A	B	C	D	E
601-623	1/2"	2.72	2.47	4.15	0.43	0.38
601-624	3/4"	2.94	2.70	4.15	0.55	0.50
601-625	1"	3.50	3.19	5.00	0.81	0.50
601-626	1-1/4"	3.90	3.64	5.98	0.98	0.50
601-627	1-1/2"	4.42	3.88	7.76	1.25	0.50
601-628	2"	5.04	4.09	7.76	1.50	0.62



Valve Seat Rating
2000 WOG - 150 WSP



Stainless Steel

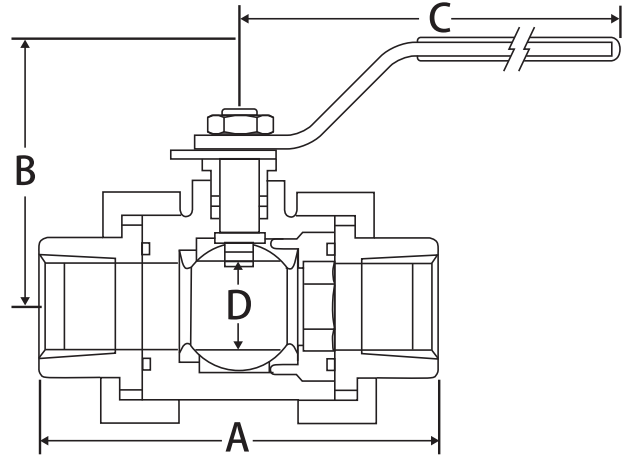
T-SS-2002N-DUE

5 Piece • Full Port • Double Union End • Threaded Connection • 3000 WOG

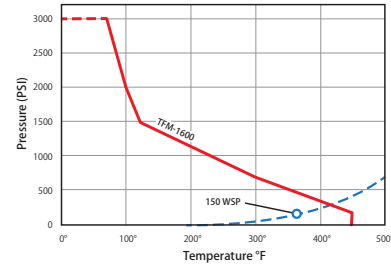


- Solid ball construction
- 5 piece construction
- Mounting pad
- Reversible handle
- Adjustable stem packing with blow out proof stem
- 29 in-HG vacuum rating
- 100% leak tested

Part No.	Size	A	B	C	D
100-981	1/4"	3.58	2.40	4.17	0.44
100-982	3/8"	3.58	2.40	4.17	0.44
100-983	1/2"	3.58	2.40	4.17	0.62
100-984	3/4"	3.74	2.79	6.97	0.81
100-985	1"	4.29	2.96	6.97	1.00
100-986	1-1/4"	4.61	3.38	9.84	1.25
100-987	1-1/2"	5.24	3.67	9.84	1.50
100-988	2"	5.71	4.52	12.24	1.97



Valve Seat Rating
3000 WOG - 150 WSP



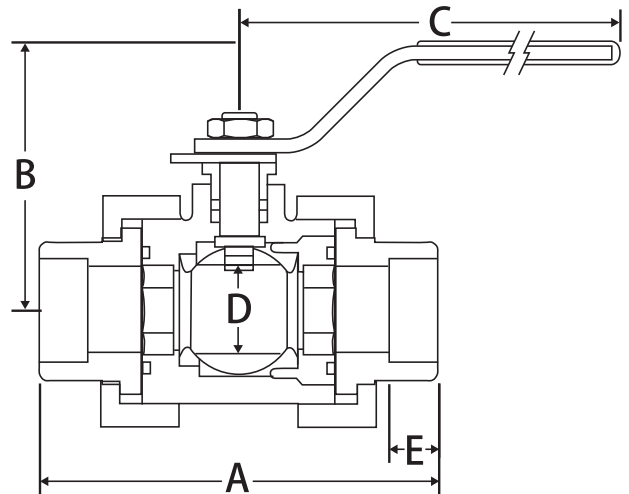
S-SS-2002N-DUE

5 Piece • Full Port • Double Union End • Socket Weld
3000 WOG

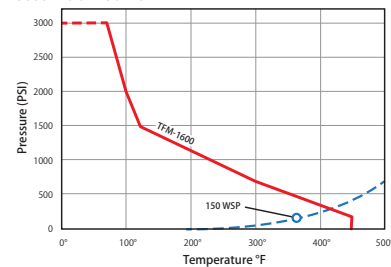


- Solid ball construction
- 5 piece construction
- Mounting pad
- Reversible handle
- Adjustable stem packing with blow out proof stem
- 29 in-HG vacuum rating
- 100% leak tested

Part No.	Size	A	B	C	D	E
101-981	1/4"	3.58	2.40	4.17	0.44	0.41
101-982	3/8"	3.58	2.40	4.17	0.44	0.41
101-983	1/2"	3.58	2.40	4.17	0.62	0.44
101-984	3/4"	3.74	2.79	6.97	0.81	0.56
101-985	1"	4.29	2.96	6.97	1.00	0.72
101-986	1-1/4"	4.61	3.38	9.84	1.25	0.72
101-987	1-1/2"	5.24	3.67	9.84	1.50	0.72
101-988	2"	5.71	4.52	12.24	1.97	0.84



Valve Seat Rating
3000 WOG - 150 WSP



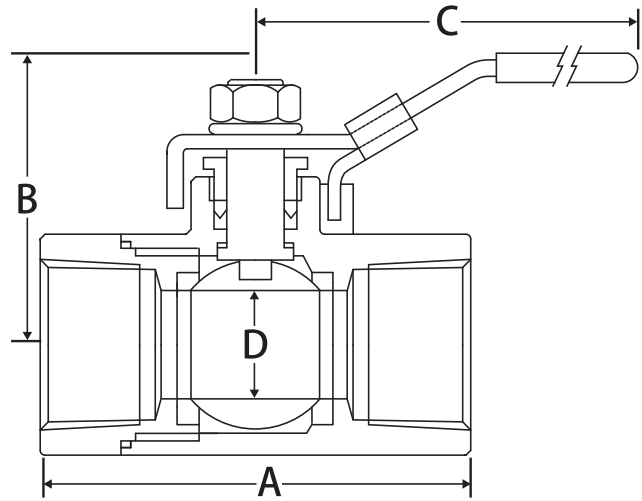
Carbon Steel

T-CS-2000N-SS

2 Piece • Standard Port • Threaded Connection • 2000 WOG • with Stainless Steel Trim

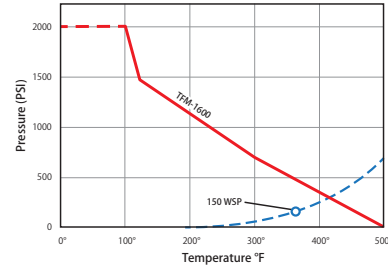


- Solid ball construction
- Latch lock may be locked in open or closed position
- 29 in.-HG vacuum rating
- 100% leak tested



Part No.	Size	A	B	C	D
100-951	1/4"	2.07	1.76	4.33	0.37
100-952	3/8"	2.07	1.76	4.33	0.37
100-953	1/2"	2.34	1.92	4.33	0.50
100-954	3/4"	2.80	2.40	5.83	0.69
100-955	1"	3.23	2.56	5.83	0.87
100-956	1-1/4"	3.57	2.74	7.76	1.00
100-957	1-1/2"	4.04	2.98	7.76	1.25
100-958	2"	4.63	3.17	7.76	1.50

Valve Seat Rating
2000 WOG - 150 WSP

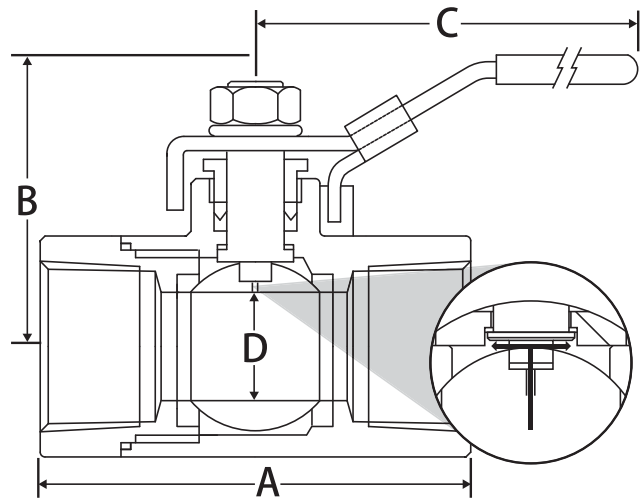


T-CS-2000N-SS-VB

2 Piece • Standard Port • Threaded Connection • 2000 WOG • with Stainless Steel Trim and Vented Ball

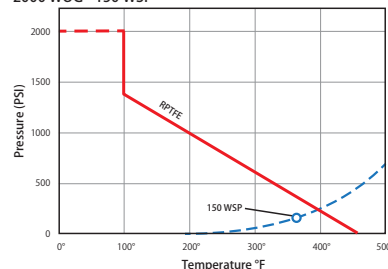


- Solid ball construction
- Latch lock may be locked in open or closed position
- 100% leak tested
- AVS Medium vacuum rating



Part No.	Size	A	B	C	D
100-951VB	1/4"	2.07	1.76	4.33	0.37
100-952VB	3/8"	2.07	1.76	4.33	0.37
100-953VB	1/2"	2.34	1.92	4.33	0.50
100-954VB	3/4"	2.80	2.40	5.83	0.69
100-955VB	1"	3.23	2.56	5.83	0.87
100-956VB	1-1/4"	3.57	2.74	7.76	1.00
100-957VB	1-1/2"	4.04	2.98	7.76	1.25
100-958VB	2"	4.63	3.17	7.76	1.50

Valve Seat Rating
2000 WOG - 150 WSP



Carbon Steel

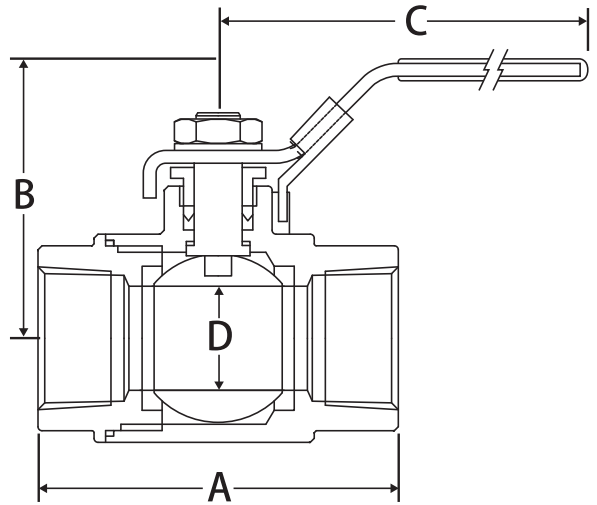
T-CS-1001N-SS

2 Piece • Full Port • Threaded Connection • 1000 WOG • with Stainless Steel Trim

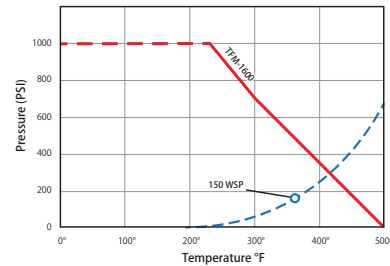


- Solid ball construction
- Latch lock handle may be locked in open or closed position
- 29 in-HG vacuum rating
- 100% leak tested

Part No.	Size	A	B	C	D
100-971	1/4"	2.20	2.20	4.21	0.43
100-972	3/8"	2.20	2.20	4.21	0.43
100-973	1/2"	2.60	2.30	4.21	0.56
100-974	3/4"	2.99	2.79	5.73	0.81
100-975	1"	3.54	2.96	5.73	1.00
100-976	1-1/4"	3.94	3.56	7.45	1.25
100-977	1-1/2"	4.41	3.84	7.45	1.50
100-978	2"	5.00	4.24	8.08	1.97



Valve Seat Rating
1000 WOG - 150 WSP

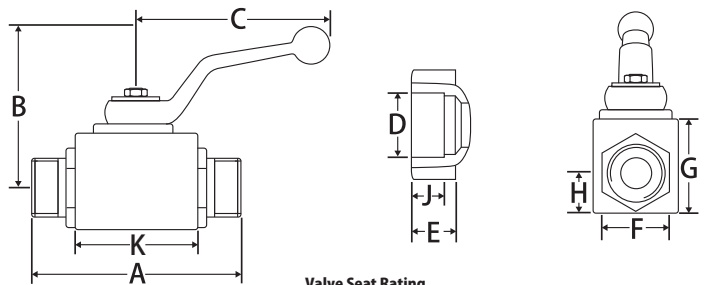


T-CS-4000

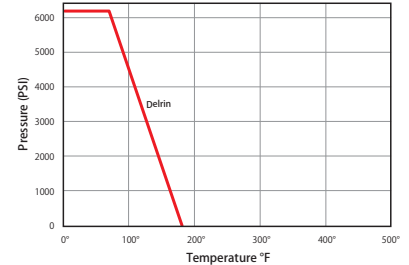
Full Port • Threaded Connection • 7500 WOG



- Body pressure ratings:
 - 7500 PSI for 1/4" to 1/2"
 - 4800 PSI for 3/4" to 2"
- Temperature rating: 14°F to 176°F
- Safety factor: 2 to 1
- Delrin ball seats
- Viton stem seal
- NPT female thread to ANSI B1.20.1
- Lockable handle option
- Sizes 1/4" to 1" one block body design
- 1-1/4" to 2" are rounded body design
- 100% leak tested



Valve Seat Rating
6000 WOG



Part No.	Size	A	B	C	D	E	F	G	H	J	K	L
100-941	1/4"	2.72	2.17	2.99	0.79	0.75	0.28	0.98	0.39	0.39	1.42	1.36
100-942	3/8"	2.87	2.68	3.94	1.18	0.94	0.31	1.38	0.57	0.41	1.77	1.44
100-943	1/2"	3.23	3.62	4.41	1.38	1.18	0.39	1.57	0.67	0.54	2.01	1.61
100-944	3/4"	3.66	4.45	7.36	1.77	1.61	0.55	2.17	0.94	0.55	2.36	1.83
100-945	1"	4.45	4.65	7.36	2.17	1.97	0.55	2.36	1.02	0.66	2.76	2.22
100-946	1-1/4"	4.33	4.11	9.45	2.87	2.36	0.67	3.15	1.44	0.68	2.76	2.30
100-947	1-1/2"	4.49	4.51	9.45	3.35	2.76	0.67	3.54	1.67	0.68	2.95	2.24
100-948	2"	5.12	5.2	12.6	3.9	3.35	0.67	4.09	1.95	0.7	3.5	2.56

Carbon Steel

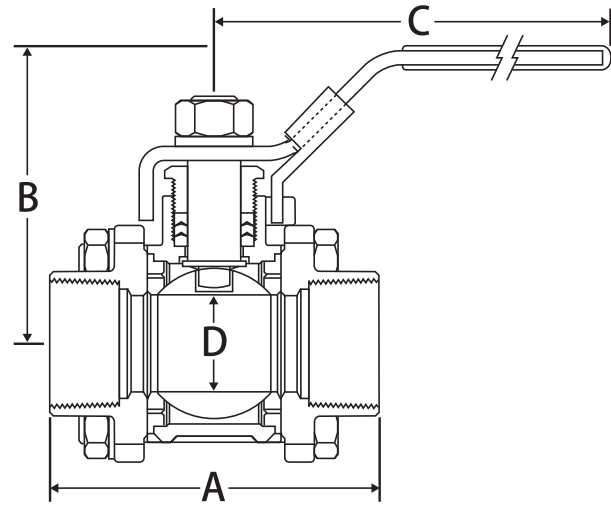
T-CS-1000N-SS-4B

3 Piece 4 Bolt • Swing Out Body • Full Port • Threaded Connection 1000 WOG • with Stainless Steel Trim

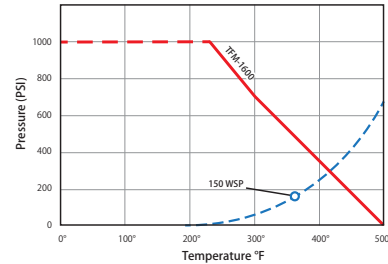


- Latch lock handle, may be locked in open or closed positions
- Repair parts available
- 100% leak tested
- 29 in-HG vacuum rating

Part No.	Size	A	B	C	D
500-401	1/4"	2.37	2.18	4.30	0.43
500-402	3/8"	2.37	2.18	4.30	0.43
500-403	1/2"	2.76	2.38	4.30	0.56
500-404	3/4"	3.03	2.87	5.81	0.81
500-405	1"	3.63	2.95	5.81	1.00
500-406	1-1/4"	4.14	3.66	7.44	1.25
500-407	1-1/2"	4.73	3.94	7.44	1.50
500-408	2"	5.43	4.25	7.81	1.97



Valve Seat Rating
1000 WOG - 150 WSP



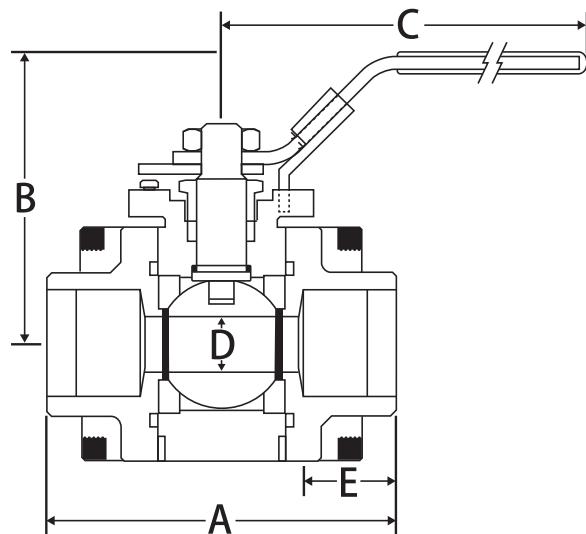
S-CS-1000N-SS-4B

3 Piece 4 Bolt • Swing Out Body • Full Port • Socket Weld 1000 WOG • with Stainless Steel Trim

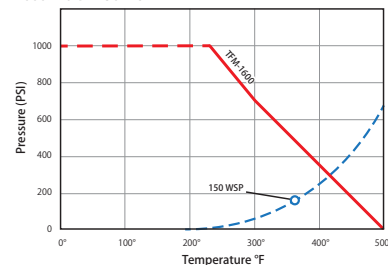


- Latch lock handle, may be locked in open or closed positions
- Repair parts available
- 100% leak tested
- 29 in-HG vacuum rating

Part No.	Size	A	B	C	D
500-503	1/2"	2.76	2.38	4.30	0.56
500-504	3/4"	3.03	2.87	5.81	0.81
500-505	1"	3.63	2.95	5.81	1.00
500-506	1-1/4"	4.14	3.66	7.44	1.25
500-507	1-1/2"	4.73	3.94	7.44	1.50
500-508	2"	5.43	4.25	7.81	1.97



Valve Seat Rating
1000 WOG - 150 WSP



Carbon Steel

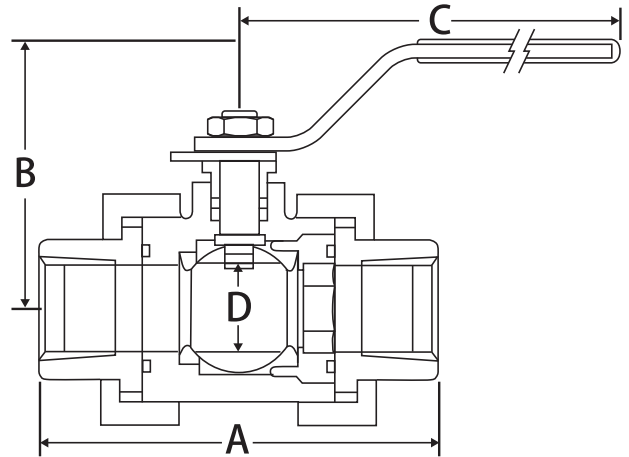
T-CS-2002N-SS-DUE

5 Piece • Full Port • Double Union End • Threaded Connection
3000 WOG • with Stainless Steel Trim

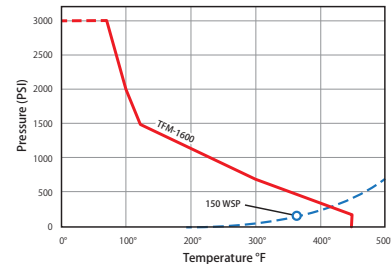


- Solid ball construction
- 5 piece construction
- Mounting pad
- Reversible handle
- Adjustable stem packing with blow out proof stem
- 29 in-HG vacuum rating
- 100% leak tested

Part No.	Size	A	B	C	D
100-991	1/4"	3.58	2.40	4.17	0.44
100-992	3/8"	3.58	2.40	4.17	0.44
100-993	1/2"	3.58	2.40	4.17	0.62
100-994	3/4"	3.74	2.79	6.97	0.81
100-995	1"	4.29	2.96	6.97	1.00
100-996	1-1/4"	4.61	3.38	9.84	1.25
100-997	1-1/2"	5.24	3.67	9.84	1.50
100-998	2"	5.71	4.52	12.24	1.97



Valve Seat Rating
3000 WOG - 150 WSP



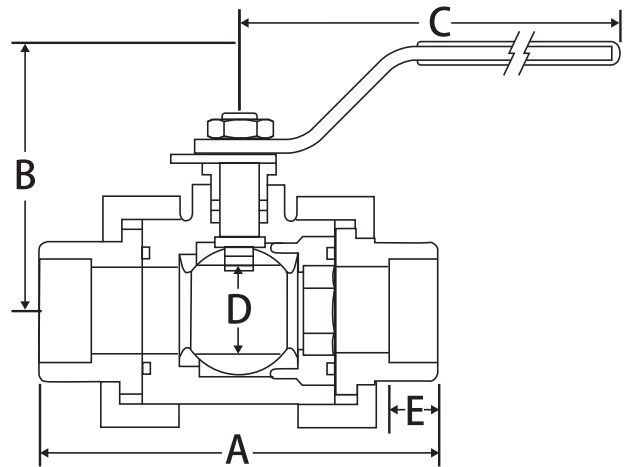
S-CS-2002N-SS-DUE

5 Piece • Full Port • Double Union End • Socket Weld
3000 WOG • with Stainless Steel Trim

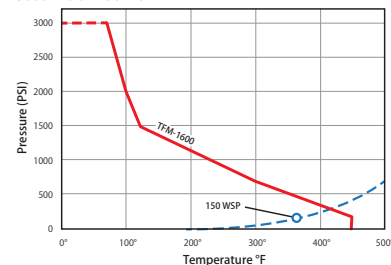


- Solid ball construction
- 5 piece construction
- Mounting pad
- Reversible handle
- Adjustable stem packing with blow out proof stem
- 29 in-HG vacuum rating
- 100% leak tested

Part No.	Size	A	B	C	D	E
101-991	1/4"	3.58	2.40	4.17	0.44	0.41
101-992	3/8"	3.58	2.40	4.17	0.44	0.41
101-993	1/2"	3.58	2.40	4.17	0.62	0.44
101-994	3/4"	3.74	2.79	6.97	0.81	0.56
101-995	1"	4.29	2.96	6.97	1.00	0.72
101-996	1-1/4"	4.61	3.38	9.84	1.25	0.72
101-997	1-1/2"	5.24	3.67	9.84	1.50	0.72
101-998	2"	5.71	4.52	12.24	1.97	0.84



Valve Seat Rating
3000 WOG - 150 WSP



Carbon Steel

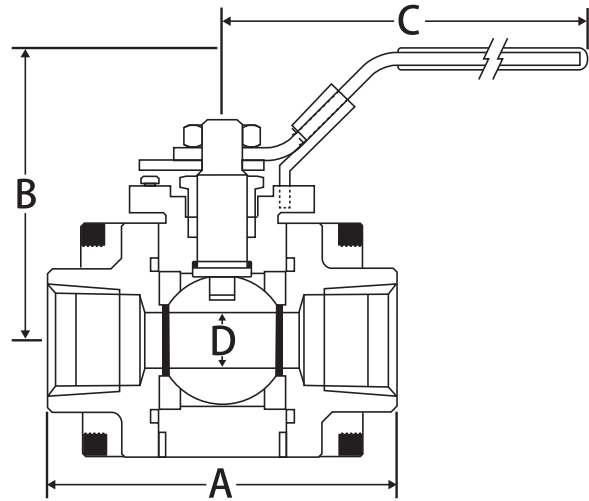
T-CS-2001N-SS-4B

3 Piece 4 Bolt Enclosed • Standard Port • Threaded Connection
2000 WOG • with Stainless Steel Trim

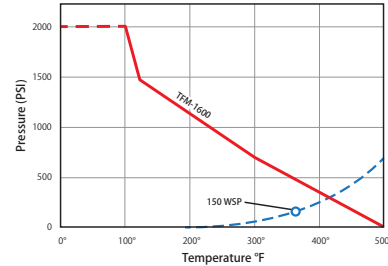


- Latch lock handle
- Reversible handle for multiple applications
- Solid ball construction
- Blow out proof stem
- Latch lock may be locked in open or closed position
- ISO 5211 mounting pad for actuation
- 29 in-HG vacuum rating
- Fire safe rated
- 100% leak tested

Part No.	Size	A	B	C	D
601-613	1/2"	2.72	2.47	4.15	0.43
601-614	3/4"	2.94	2.70	4.15	0.55
601-615	1"	3.50	3.19	5.00	0.81
601-616	1-1/4"	3.90	3.64	5.98	0.98
601-617	1-1/2"	4.42	3.88	7.76	1.25
601-618	2"	5.04	4.09	7.76	1.50



Valve Seat Rating
2000 WOG - 150 WSP



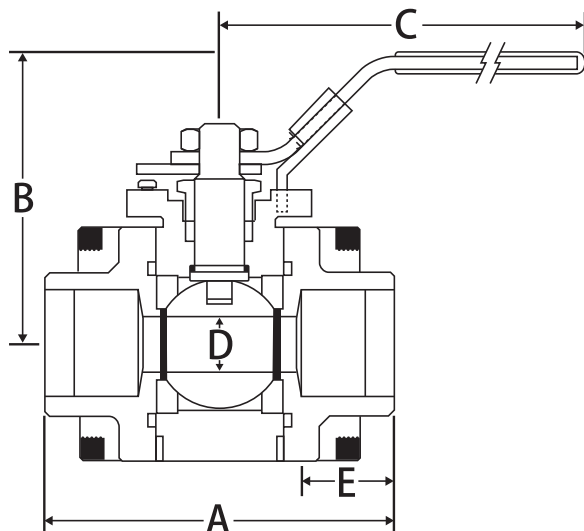
S-CS-2001N-SS-4B

3 Piece 4 Bolt Enclosed • Standard Port • Socket Weld
2000 WOG • with Stainless Steel Trim

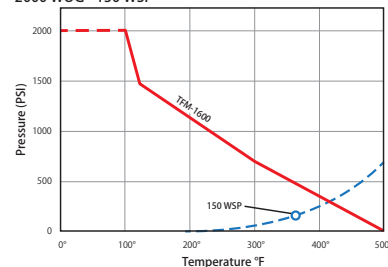


- Latch lock handle
- Reversible handle for multiple applications
- Solid ball construction
- Blow out proof stem
- Latch lock may be locked in open or closed position
- ISO 5211 mounting pad for actuation
- 29 in-HG vacuum rating
- Fire safe rated
- 100% leak tested

Part No.	Size	A	B	C	D	E
601-633	1/2"	2.72	2.47	4.15	0.43	0.38
601-634	3/4"	2.94	2.70	4.15	0.55	0.50
601-635	1"	3.50	3.19	5.00	0.81	0.50
601-636	1-1/4"	3.90	3.64	5.98	0.98	0.50
601-637	1-1/2"	4.42	3.88	7.76	1.25	0.50
601-638	2"	5.04	4.09	7.76	1.50	0.62



Valve Seat Rating
2000 WOG - 150 WSP



Sealant



W.O.G. Plus®

A rust colored cohesive, smooth flowing liquid, containing an alcohol solution, pigmented with iron oxide, organic gums and resin. It is lead free and free of halogens. W.O.G. Plus is not a strong sensitizer, it is non-corrosive and is a high quality/high performance resin compound, with built-in elasticity that resists vibration and temperature change. W.O.G. Plus is fast drying, flex/hard set, brushable and cures by solvent evaporation.



The Heavy Weight®



An all purpose heavy duty thread sealing compound that produces leakproof seals on threaded connections. Lubricates and protects threads in an extensive variety of industrial, chemical and oil field threaded pipe connections over a wide range of temperatures and pressures.

Its low coefficient of friction allows tighter make-up with low torque, seals permanently and has excellent compressibility. Will not destroy the seals of valves or faucets. Wipes clean from hands easily.



Gimme The Green Stuff®



Slow drying, soft setting, non-hardening pipe thread compound. Recommended for on-site or assembly line work. Lead free and non-toxic. Will not harden in can.

Will not dry out, stain, harden or separate. Will not destroy the seals of valves or faucets. Wipes clean from hands easily.



Gimme The White Stuff®



An all purpose PTFE thread sealing compound that produces leakproof seals on threaded connections. Lubricates, seals and protects threads in an extensive variety of plumbing, heating and oil field threaded pipe connections over a wide range of services, temperatures and pressures. Will not dry out, stain, harden or separate. Non-toxic. Will not destroy the seals of valves or faucets. Wipes clean from hands easily.



Hi-Temp®

Hi-Temp™ all purpose anti-seize lubricant will not bleed, separate or settle. Prevents pressure leakage and seizing resulting from high temperature, freezing, heavy loads, corrosion and vibration. Contains no grit. Prevents rust and corrosion. Specially formulated for summer or winter use. Provides easy assembly and disassembly of bolts, plugs, studs, flanges and fillings.

Recommended Uses

Acids, Diluted					
Air, Compressed Gaseous					
Alkalis, Diluted					
Ammonia					
Aliphatic Solvents					
Brine					
Butane					
Carbon Dioxide					
Castor Oils					
Chlorinated Water					
Corrosives					
Coal Tar Naphtha					
Cutting Oils					
Diesel Fuel Oil					
Fatty Acids (Liquids)					
Freon (All)					
Gasoline					
Gasohol					
Glycol					
Heating Oils					
Helium Gaseous					
Hydraulic Oils					
Hydrogen					
Inert Gases, Gaseous					
Jet Fuel (JP 3,4,5)					
Kerosene					
Lacquer					
Liquefied Petroleum Gases					
Manufactured Gases					
Mineral Oils					
Naphtha					
Natural Gas					
Nitrogen, Gaseous					
Oxygen					
Petroleum Solvents					
Propane					
Refrigeration Gases					
Soap, Liquid					
Steam Lines					
Sugar, Liquid					
Vegetable Oils					
Water (Hot or Cold)					
Xylol					
Sodium Hypochlorite					

The information contained in this bulletin is correct to the best of our knowledge. The recommendations or suggestions herein are made without guarantee or representation as to result, since the conditions of use are beyond our control. We suggest that you evaluate the recommendations contained in this bulletin. No statement is to be construed as violating any copyright or patent. They are intended only as a source of information.

Flanges

FL SS-100-150

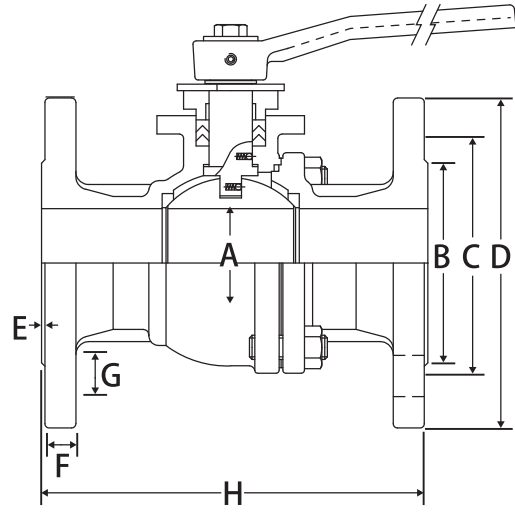
2 Piece • Full Port • Flanged Connection • Class 150



- Wrench operator
- Fire safe stem and body graphite seals
- Air tested seat leakage: 85 PSI
- Hydraulic tested body: 427 PSI
- 100% leak tested

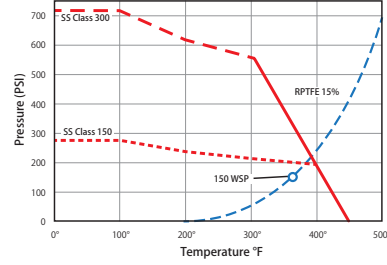
Part No.	Size	A	B	C	D	E	F	G	H	Bolts
600-103	1/2"	0.63	1.38	2.38	3.50	0.06	0.44	0.63	4.25	4
600-104	3/4"	0.79	1.69	2.76	3.86	0.06	0.44	0.63	4.61	4
600-105	1"	0.98	2.01	3.13	4.25	0.06	0.44	0.63	5.00	4
600-107	1-1/2"	1.50	2.87	3.88	5.00	0.06	0.56	0.63	6.50	4
600-108	2"	1.97	3.62	4.74	5.98	0.06	0.63	0.75	7.01	4
600-109	2-1/2"	2.56	4.13	5.49	7.01	0.06	0.69	0.75	7.48	4
600-110	3"	3.15	5.00	6.00	7.48	0.06	0.75	0.75	7.99	4
600-111	4"	3.94	6.18	7.50	9.02	0.06	0.94	0.75	9.02	8
600-112	6"	5.98	8.50	9.51	10.98	0.06	1.00	0.87	15.51	8
600-113*	8"	7.99	10.63	11.75	13.50	0.06	1.12	0.87	17.99	8
600-114*	10"	9.84	12.76	14.25	15.98	0.06	1.19	0.98	20.98	12
600-115*	12"	11.81	12.52	17.01	19.02	0.06	1.25	0.98	24.02	12

*8-12" Special Order



Valve Seat Rating

Class 300: 700 WOG, Class 150: 300 WOG - 150 WSP



FL SS-100-300

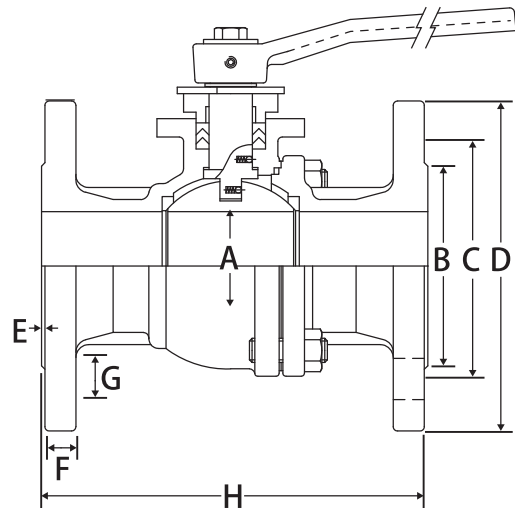
2 Piece • Full Port • Flanged Connection • Class 300



- Wrench operator
- Fire safe stem and body graphite seals
- Air tested seat leakage: 85 PSI
- Hydraulic tested body: 1124 PSI
- Locking device comes standard
- 100% leak tested

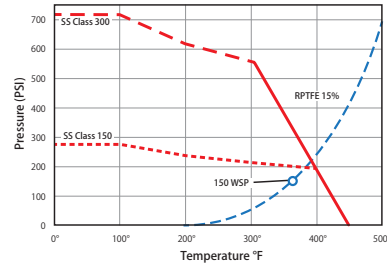
Part No.	Size	A	B	C	D	E	F	G	H	Bolts
600-128	2"	1.97	3.62	5.00	6.50	0.06	0.88	0.75	8.50	8
600-130	3"	3.15	5.00	6.62	8.27	0.06	1.17	0.88	11.10	8
600-131	4"	3.94	6.19	7.88	10.00	0.06	1.25	0.88	12.00	8
600-132	6"	5.90	8.51	10.64	12.53	0.06	1.44	0.88	15.88	12
600-133*	8"	7.88	10.64	13.00	15.01	0.06	1.62	1.00	19.75	12

*8" Special Order



Valve Seat Rating

Class 300: 700 WOG, Class 150: 300 WOG - 150 WSP



Flanges

FL CS-100-150

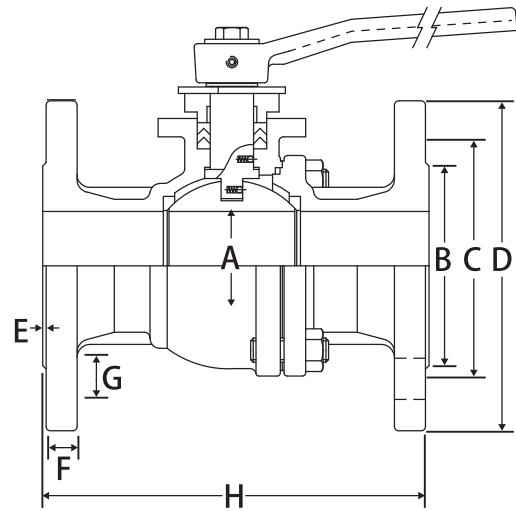
2 Piece • Full Port • Flanged Connections • Class 150 • with Stainless Steel Trim



- Wrench operator
- Fire safe stem and body graphite seals
- Air tested seat leakage: 85 PSI
- Hydraulic tested body: 427 PSI
- Locking device comes standard
- 100% leak tested

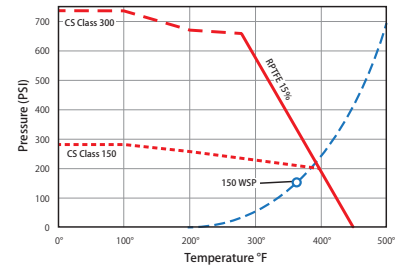
Part No.	Size	A	B	C	D	E	F	G	H	Bolts
600-203	1/2"	0.63	1.38	2.38	3.50	0.06	0.44	0.63	4.25	4
600-204	3/4"	0.79	1.69	2.76	3.86	0.06	0.44	0.63	4.61	4
600-205	1"	0.98	2.01	3.13	4.25	0.06	0.44	0.63	5.00	4
600-207	1-1/2"	1.50	2.87	3.88	5.00	0.06	0.56	0.63	6.50	4
600-208	2"	1.97	3.62	4.74	5.98	0.06	0.63	0.75	7.01	4
600-209	2-1/2"	2.56	4.13	5.49	7.01	0.06	0.69	0.75	7.48	4
600-210	3"	3.15	5.00	6.00	7.48	0.06	0.75	0.75	7.99	4
600-211	4"	3.94	6.18	7.50	9.02	0.06	0.94	0.75	9.02	8
600-212	6"	5.98	8.50	9.51	10.98	0.06	1.00	0.87	15.51	8
600-213*	8"	7.99	10.63	11.75	13.50	0.06	1.12	0.87	17.99	8
600-214*	10"	9.84	12.76	14.25	15.98	0.06	1.19	0.98	20.98	12
600-215*	12"	11.81	12.52	17.01	19.02	0.06	1.25	0.98	24.02	12

*8-12" Special Order



Valve Seat Rating

Class 300: 700 WOG, Class 150: 300 WOG - 150 WSP



FL CS-100-300

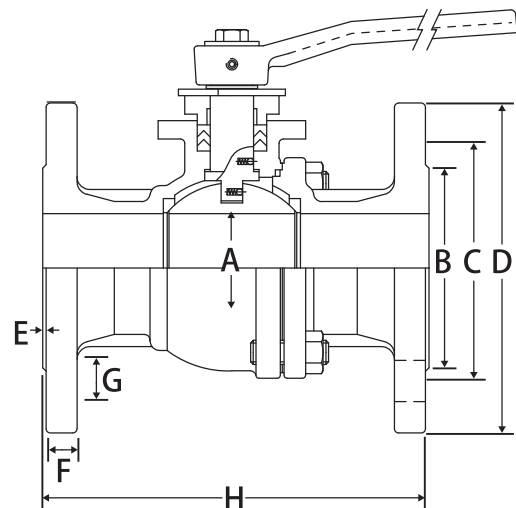
2 Piece • Full Port • Flanged Connections • Class 300 • with Stainless Steel Trim



- Wrench operator
- Fire safe stem and body graphite seals
- Air tested seat leakage: 85 PSI
- Hydraulic tested body: 1124 PSI
- Locking device comes standard
- 100% leak tested

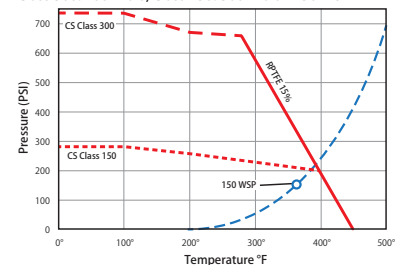
Part No.	Size	A	B	C	D	E	F	G	H	Bolts
600-228	2"	1.97	3.62	5.00	6.50	0.06	0.88	0.75	8.50	8
600-230	3"	3.15	5.00	6.62	8.27	0.06	1.17	0.88	11.10	8
600-231	4"	3.94	6.19	7.88	10.00	0.06	1.25	0.88	12.00	8
600-232	6"	5.90	8.51	10.64	12.53	0.06	1.44	0.88	15.88	12
600-233*	8"	7.88	10.64	13.00	15.01	0.06	1.62	1.00	19.75	12

*8" Special Order



Valve Seat Rating

Class 300: 700 WOG, Class 150: 300 WOG - 150 WSP



Actuation

AE Series

Double Acting • Nema 4x • Manual Override

The Jomar AE series is a reliable yet economical, compact electric double-acting actuator with many desirable standard features.



- Hard anodized aluminum housing with external powder coating for severe duty applications
- 90° operation
- Enclosure: IP67 (Nema 4, 4X)
- ISO 5211 mounting
- Worm gearing, no brake required
- Manual override standard
- Torque switches for overload protection (except for AE450 and AE700)
- Squirrel cage induction motor
- Duty Cycle: AE450 is 30%, for all others 50%
- 4 Limit switches (2 for AE450)
- Cable entries: 1/2" NPT for AE450 - 3/4" NPT for all others
- 5W internal heater (except for AE450 and AE700)
- Terminal block for ease in wiring
- Position indicator
- Adjustable travel stops standard
- Temperature range: -4°F to 158°F - AE700 and larger
-22°F to 140°F - AE450

Model	Torque in. / lbs	Speed 90 / 120VAC	Output Sq. / ISO Mounting	Pwr. Rating Wattage	Insulation Class	Weight Pounds	Limit Switches	Cable Entry	Internal Htr.	Terminal Wiring Block	Torque OL Protection
AE-180	180	12	.43/F03/05	6	E	2.5	2	PIGTAIL	NO	NO	N/A
AE-450	450	20	.55/F03/05	10	E	2	2	1/2 NPT	NO	YES	N/A
AE-700	700	14	.67/F05/07	15	E	5	4	3/4 NPT	YES	YES	N/A
AE-880	880	21	.67/F07	15	F	7	4	3/4 NPT	YES	YES	YES
AE-1400	1400	26	.87/F07/10	40	F	15	4	3/4 NPT	YES	YES	YES
AE-2100	2125	26	.87/F07/10	40	F	15	4	3/4 NPT	YES	YES	YES
AE-3100	3098	31	1.06/F10/12	40	F	20	4	3/4 NPT	YES	YES	YES
AE-4400	4425	31	1.06/F10/12	90	F	20	4	3/4 NPT	YES	YES	YES
AE-7000	7080	39	1.42/F12/14	180	F	25	4	3/4 NPT	YES	YES	YES
AE-9700	9735	39	1.54/F12/14	180	F	25	4	3/4 NPT	YES	YES	YES

Specialty Electronic Actuators



In addition to the AE Series, Jomar Valve also offers a wide range of specialty electric actuators tailored for your specific application. As a proud provider of Indelac Controls, Jomar Valve offers you the following Made in America products:

- NEMA 4, 4x & 7 Enclosures
- Spring Return Electric Actuators
- 24, 115, 230, & 480 AC/ DC Voltages
- 100lbs-14000lbs Torque ranges
- Other Actuator Accessories

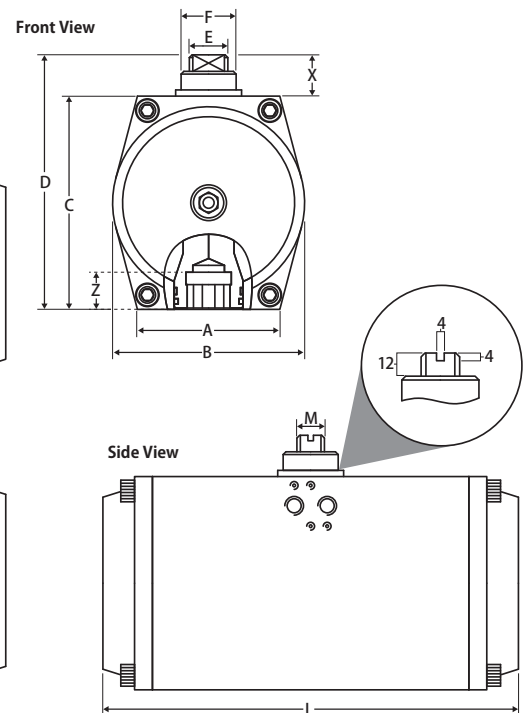
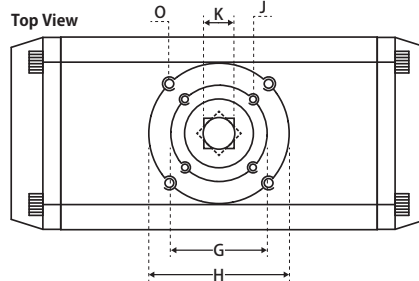
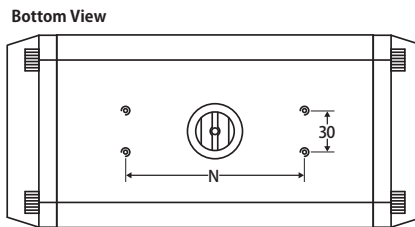
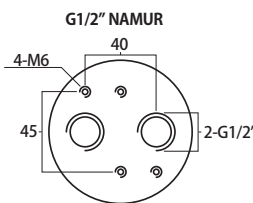
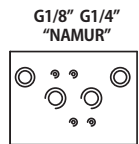
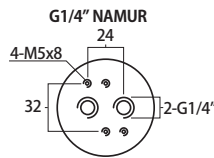
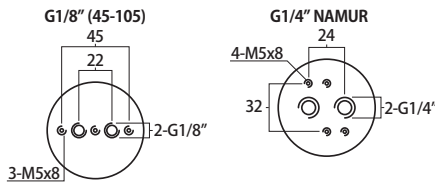
Jomar Valve can accommodate any application, please contact our inside sales team at 800-325- 5690 for assistance.

Actuation

Alpha Series Spring Return • Double Acting Rotary



- Hard anodized extruded aluminum body construction with both internal and external corrosion protection, having precision honed cylinder surfaces for longer life and low coefficient of friction
- Dual rack and piston design with multiple bearings and guides resulting in low friction and high cycle life, including blow-out proof output shaft design
- Modular type, epoxy coated spring design offers a wide torque range, greater safety, corrosion resistance and an extended life cycle
- Precisely machined pistons and pinions to provide for extremely precise rack and pinion engagement resulting in greater efficiency
- Completely O-ring sealed to prevent outside contamination
- Stainless steel fasteners for long term corrosion resistance
- Manufactured to fully conform to ISO5211 and DIN3337
- Namur interface mounting of solenoid valves, limit switches and positioners
- Travel stops are standard on all models
- Manufactured with silicone-free lubricants
- Torque ranges - Double Acting: up to 388,762 lb-in; Spring Return: up to 257,836 lb-in
- 180° Actuators are also available from stock



Model	A	B	C	D	E	F	G	H	I	K	L	M	N	O	Z	Air Connection	Air Consumption Unit: in ³	X
50	1.97	2.32	2.92	3.70	.47	.55	Ø1.42	Ø1.97	#10-32UNF	.43	5.75	.39	3.15	1/4"-20UNC	.55	1/4"	15.25	.787
60	2.36	2.83	3.45	4.25	.47	.71	Ø1.97	Ø2.75	1/4"-20UNC	.55	6.61	.39	3.15	5/16"-18UNC	.71	1/4"	26.85	.787
70	2.56	3.27	3.93	4.75	.47	.71	Ø1.97	Ø2.75	1/4"-20UNC	.55	7.24	.39	3.15	5/16"-18UNC	.71	1/4"	42.11	.787
80	2.64	3.54	4.30	5.10	.55	.71	Ø1.97	Ø2.75	1/4"-20UNC	.67	8.03	.39	3.15	5/16"-18UNC	.83	1/4"	60.41	.787
90	2.99	4.09	4.72	5.55	.71	.98	Ø1.97	Ø2.75	1/4"-20UNC	.67	10.24	.55	3.15	5/16"-18UNC	.83	1/4"	96.42	.787
100	3.54	4.53	5.23	6.11	.79	.98	Ø2.75	Ø4.02	5/16"-18UNC	.87	10.55	.55	3.15	3/8"-16UNC	1.02	1/4"	134.25	.787
120	4.09	5.51	6.09	6.81	1.10	1.57	Ø2.75	Ø4.02	5/16"-18UNC	.87	11.73	.79	5.12	3/8"-16UNC	1.02	1/4"	210.53	.787
140	4.21	5.98	6.75	7.43	1.10	1.57	Ø4.02	Ø4.92	3/8"-16UNC	1.06	15.35	.79	5.12	1/2"-13UNC	1.22	1/4"	356.99	.787
160	5.04	6.92	7.76	8.94	1.42	1.57	Ø4.02	Ø4.92	3/8"-16UNC	1.06	18.03	1.10	5.12	1/2"-13UNC	1.22	1/4"	548.60	1.18
190	5.31	8.11	9.00	10.25	1.77	2.36	-	Ø5.51	-	1.42	20.67	1.26	5.12	5/8"-11UNC	1.57	1/4"	875.08	1.18
210	5.31	8.90	10.04	11.22	1.77	2.36	-	Ø5.51	-	1.42	20.94	1.26	5.12	5/8"-11UNC	1.57	1/4"	1084.39	1.18
240	6.10	10.08	11.33	12.48	1.77	2.36	-	Ø6.50	-	1.81	23.70	1.26	5.12	3/4"-10UNC	1.97	1/4"	1585.40	1.18
270	7.48	11.57	12.60	13.78	1.77	2.36	-	Ø6.50	-	1.81	28.43	1.26	5.12	3/4"-10UNC	1.97	1/2"	2498.92	1.18
300	7.72	12.75	13.70	14.88	1.77	2.36	-	Ø6.50	-	1.81	29.21	1.26	5.12	3/4"-10UNC	2.36	1/2"	3393.53	1.18
350	8.66	14.96	15.83	17.00	1.77	2.36	-	Ø6.50	-	1.81	33.86	1.26	5.12	3/4"-10UNC	2.36	1/2"	5163.22	1.18

Actuation

EP-100

Electro-Pneumatic Rotary Positioner

The Jomar EP-100 Electro-pneumatic positioner is intended for use with either spring return or double acting pneumatic actuators to provide control of the actuator rotation utilizing an electrical control signal or control system.

- Aluminum housing construction
- Visual position indicator
- Enclosure: IP66 connections: 1/4" Air / 1/8" gauge
- Input: 4-20mA / 0-10 VDC
- Supply: 20-100 PSI
- Impedance: 250 OHM \pm 15 OHM
- Linearity: \pm 1% / \pm 2% FS
- Operating Temperature: -4°F to 158°F
- Repeatability: \pm .5% FS
- Hysteresis: \pm 1% FS
- Flow Capacity: 80 LPM
- Air Consumption: 3 LPM
- Weight: 6.5 LB
- Explosion proof approval: Exdm IIBT5
- Signal: 1/2" conduit
- Connections: 1/4" air / 1/8" gauge
- For use with 1/4-turn rotary actuators



PP-200

Pneumatic Rotary Positioner

The Jomar PP-200 pneumatic positioner is intended for use with either spring return or double acting pneumatic actuators to provide control of actuator rotation utilizing a 3-15 PSI control air signal.

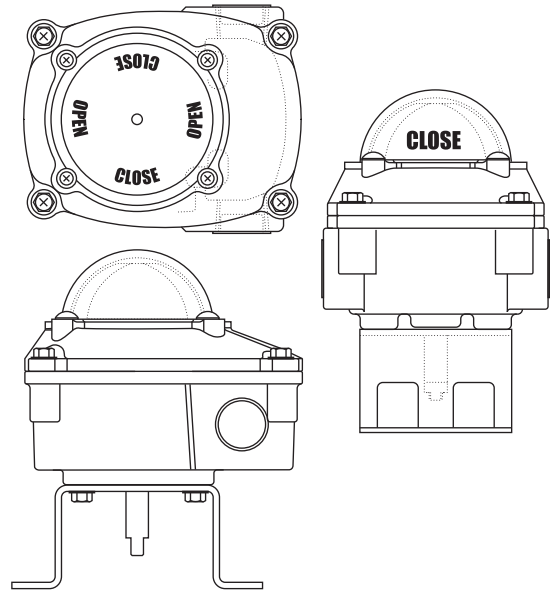
- Aluminum housing construction
- Visual position indicator
- Input: 3-15 PSI
- Supply: 20-100 PSI
- Linearity: \pm 2% FS
- Operating Temperature: -20°F to 185°F
- Repeatability: \pm .5% FS
- Hysteresis: \pm 1% FS
- Flow Capacity: 80 LPM
- Air Consumption: 3 LPM
- Weight: 4 LB
- Enclosure: IP66
- Connections: 1/4" air / 1/8" gauge
- For use with 1/4-turn rotary actuators



Actuation

SM-200

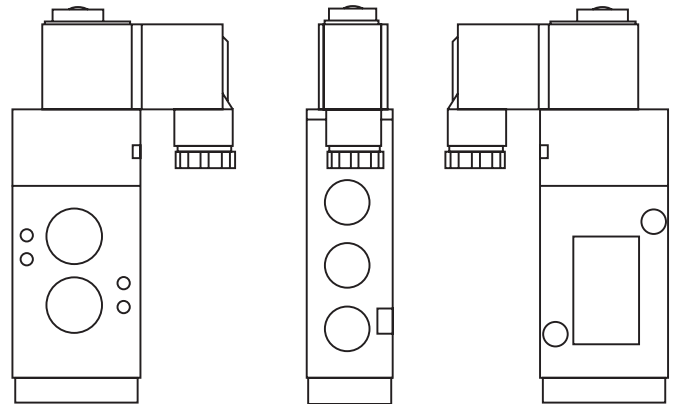
Limit Switch with Dome Indicator



- O-ring sealed to prevent contaminants from entering switch compartment
- Position indicator manufactured of high-impact polycarbonate; yellow = open / red = closed
- Mechanical switches (2) are of SPDT design
- Eight position terminal strip included
- Enclosure is IP 67 weatherproof design
- Stainless steel mounting bracket made to NAMUR

SV-120

Four Way Solenoid Valve



- Extruded aluminum body with NBR seal
- 120/60/1 coil with IP 67 rating
- Manual override
- 1/4" NPT Exhaust port
- 1/2" NPT conduit connection
- Operating Temp: -40°F to 140°F
- Operating Pressure: 20 to 120 PSI

Actuation

Direct Mount Series

2 Piece • Full Port • Threaded Connection • 600 WOG with ISO Mounting Pad



T-100NE



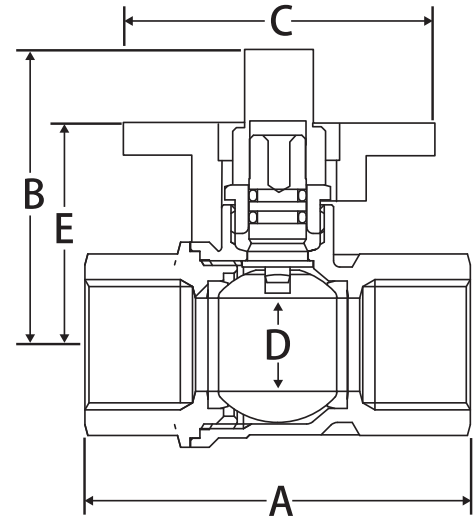
T-100SSE

- Blow-out proof stem
- ISO 5211 mounting pad

- 100% leak tested

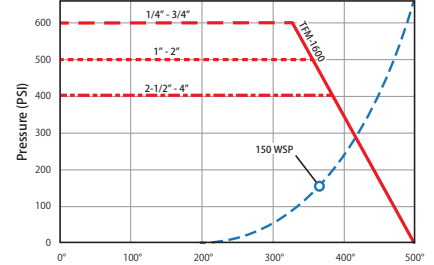
T-100NE	T-100SSE	Size	A	B	C	D	E	Torque	ISO	SQ
100-701	100-501	1/4"	1.86	1.77	1.97	0.39	1.26	23	F03/F05	0.43
100-702	100-502	3/8"	1.86	1.77	1.97	0.39	1.26	23	F03/F05	0.43
100-703	100-503	1/2"	2.45	1.95	1.97	0.59	1.50	35	F03/F05	0.43
100-704	100-504	3/4"	2.71	2.10	1.97	0.79	1.43	62	F03/F04/F05	0.43
100-705	100-505	1"	3.30	2.63	1.97	0.97	2.12	89	F05	0.43
100-706	100-506	1-1/4"	3.80	2.81	1.97	1.23	2.35	132	F05	0.43
100-707	100-507	1-1/2"	4.16	2.44	2.79	1.49	2.84	177	F05/F07	0.55
100-708	100-508	2"	5.00	3.65	2.79	1.99	3.17	222	F05/F07	0.55

Note: Torque is in (lb-in)



Valve Seat Rating

1/4" - 3/4" 600 WOG, 1-2" 500 WOG, 2-1/2" - 4" 400 WOG - 150 WSP



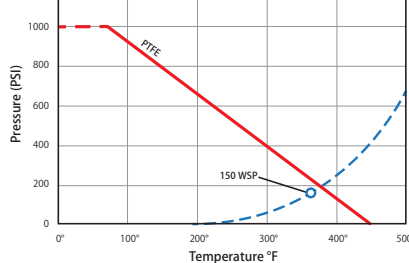
A1000

3 Piece 4 Bolt • Full Port • Threaded Connection • 1000 WOG with ISO Mounting Pad



Valve Seat Rating

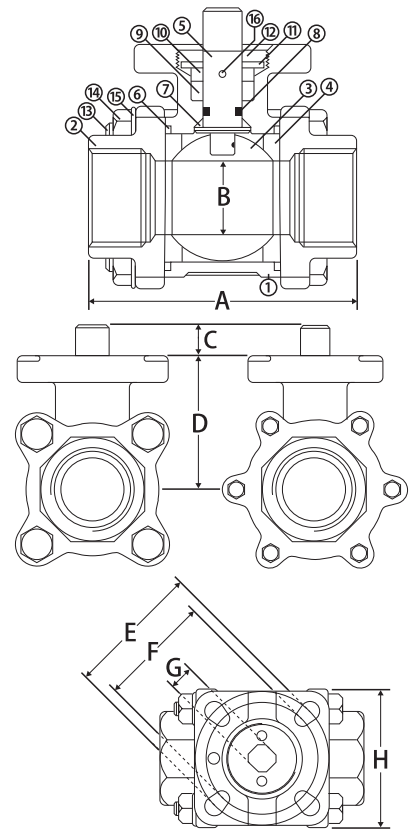
1000 WOG - 150 WSP



- ISO 5211 mounting pad

- 3-piece swing out body

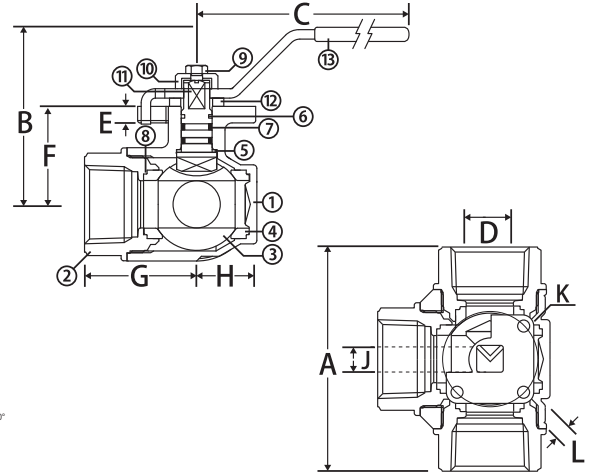
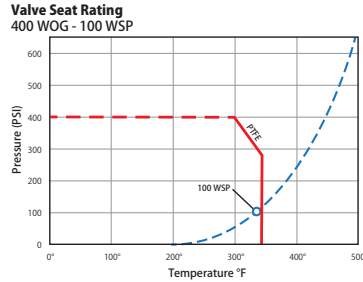
Part No.	Size	A	B	C	D	E	F	G	H	Torque	ISO
A1000-14	1/4"	2.56	0.39	0.28	1.65	1.65	1.41	0.35	1.83	40	F03/4
A1000-38	3/8"	2.56	0.39	0.28	1.65	1.65	1.41	0.35	1.83	40	F03/4
A1000-12	1/2"	2.96	0.63	0.35	1.57	1.65	1.41	0.35	1.65	40	F03/4
A1000-34	3/4"	3.15	0.88	0.35	1.73	1.65	1.41	0.35	1.65	60	F03/4
A1000-1	1"	3.55	1.13	0.43	2.04	1.97	1.65	0.43	1.97	70	F04/5
A1000-114	1-1/4"	4.33	1.38	0.43	2.28	1.97	1.65	0.43	1.97	110	F04/5
A1000-112	1-1/2"	4.75	1.63	0.55	2.67	2.75	1.97	0.55	2.75	170	F05/7
A1000-2	2"	5.52	1.97	0.55	3.00	2.75	1.97	0.55	2.75	250	F05/7
A1000-212	2-1/2"	7.29	2.55	0.70	3.86	4.01	2.75	0.67	4.01	650	F07/10
A1000-3	3"	8.00	3.00	0.70	4.33	4.01	2.75	0.67	4.01	850	F07/10
A1000-4	4"	9.50	3.93	0.94	4.96	4.92	4.01	0.86	4.92	950	F010/12



Actuation

A750T/L

3-Way • Standard Port • Threaded Connection • 400 WOG with ISO Mounting Pad



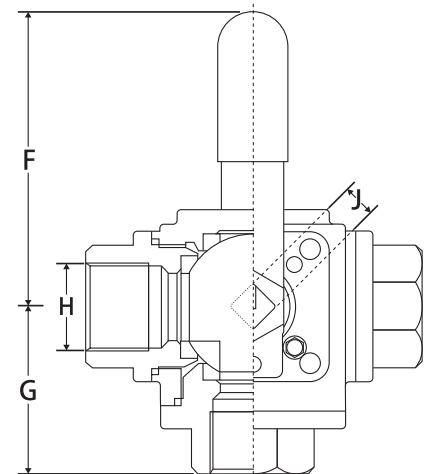
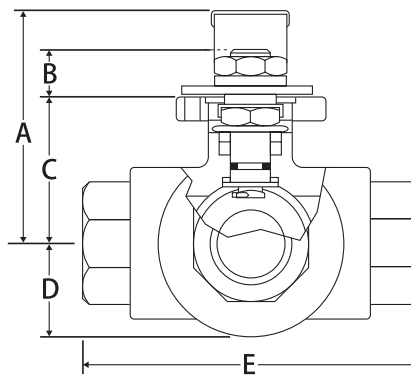
- ISO 5211 direct mounting pad
- Square valve stem for direct mounting to any ISO actuator
- Four seats standard
- Temperatures to 344°F
- Blow-out proof stem

Part No.	Size	A	B	C	D	E	F	G	H	J	K	L	Torque
A750_-14	1/4"	2.64	2.44	4.72	0.39	0.20	1.20	1.32	0.77	0.35	F03	0.23	54
A750_-38	3/8"	2.64	2.44	4.72	0.43	0.20	1.20	1.32	0.77	0.35	F03	0.23	54
A750_-12	1/2"	2.87	2.44	4.72	0.43	0.20	1.20	1.44	0.77	0.35	F03	0.23	54
A750_-34	3/4"	3.19	2.52	4.72	0.59	0.20	1.29	1.60	0.87	0.35	F03	0.23	54
A750_-1	1"	3.74	2.95	6.69	0.79	0.28	1.63	1.87	1.00	0.43	F05	0.27	151
A750_-114	1-1/4"	4.39	3.17	6.69	0.98	0.28	1.85	2.20	1.22	0.43	F05	0.27	151
A750_-112	1-1/2"	4.86	3.66	6.69	1.26	0.28	2.34	2.43	1.79	0.43	F05	0.27	151
A750_-2	2"	5.73	4.43	9.05	1.57	0.32	2.90	2.87	1.75	0.55	F07	0.35	275
A750_-212	2-1/2"	6.93	4.86	9.05	1.95	0.32	3.35	3.47	22.00	0.55	F07	0.35	381
A750_-3	3"	7.08	4.86	9.05	1.95	0.32	3.35	3.54	2.20	0.55	F07	0.35	381

_ = Must specify ball: T = T-Port, L = L-Port • Note: Torque is in (in/lb)

850T/L

3-Way • Full or Standard Port • Threaded Connection 1000 WOG • with ISO Mounting Pad

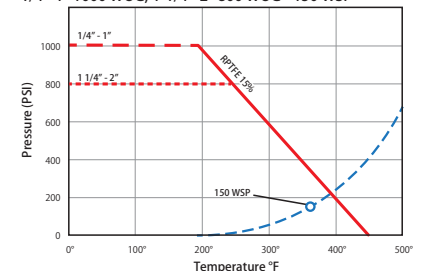


- Self adjusting stem packing
- Blow-out proof stem design
- 100% tested
- Temperature range: -20°F to 450°F
- ISO 5211 mounting pad

Part No.	Full Port	Standard Port	A	B	C	D	E	F	G	H	J	ISO	Break Torque
A850_-14	1/4"	-	2.44	0.40	1.45	0.78	2.83	5.12	1.41	0.43	0.35	F03/F04	105
A850_-38	3/8"	1/2"	2.44	0.40	1.45	0.78	2.83	5.12	1.41	0.47	0.35	F03/F04	105
A850_-12	1/2"	3/4"	2.51	0.45	1.65	0.91	3.26	5.12	1.63	0.59	0.35	F03/F04	138
A850_-34	3/4"	1"	3.22	0.59	1.65	1.10	3.89	6.49	1.94	0.78	0.43	F04/F05	184
A850_-1	1"	1-1/4"	3.50	0.55	2.18	1.33	4.40	6.49	2.20	0.98	0.43	F04/F05	323
A850_-114	1-1/4"	1-1/2"	3.85	0.64	2.48	1.53	4.92	8.07	2.46	1.25	0.55	F05/F07	461
A850_-112	1-1/2"	2"	4.25	0.62	2.88	1.88	5.86	8.07	2.93	1.50	0.55	F05/F07	633
A850_-2	2"	-	5.51	0.88	3.63	2.36	6.85	12.79	3.42	2.00	0.67	F07/F10	1037

*Must specify ball: T = T-port, L = L-port

Valve Seat Rating
1/4 - 1" 1000 WOG, 1-1/4 - 2" 800 WOG - 150 WSP



Actuation

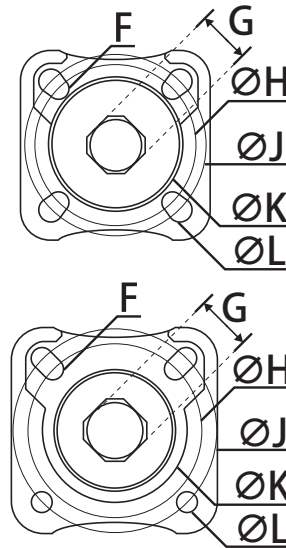
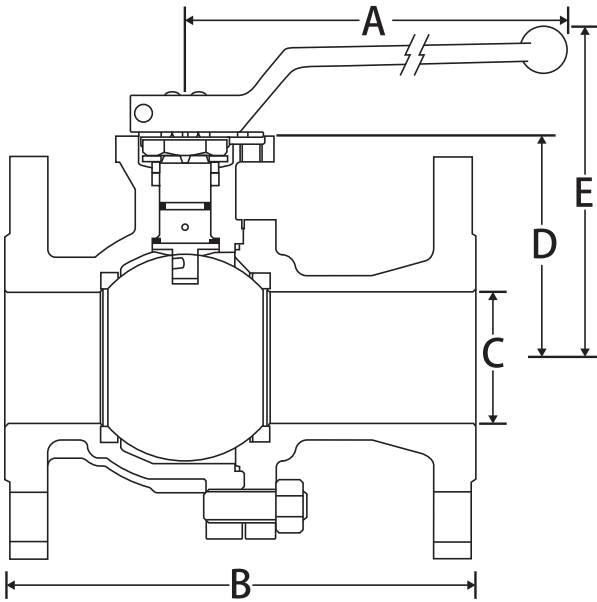
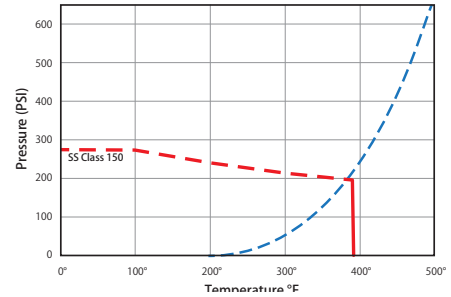
A2020D

2 Piece • Full Port • Flanged Connection • Class 150
with ISO Mounting Pad



- Vented ball for safety precautions
- ISO 5211 / DIN 3337 direct mounting pad
- Blow-out proof stem
- ANSI B16.34 and B16.35, Class 150
- Carbon steel available upon request
- 100% tested
- AVS High vacuum rating

Valve Seat Rating
150 Class 300 WOG



Part No.	Size	A	B	C	D	E	F	G	ØH	ØJ	ØK	ØL	ISO	Torque
A2020D-12	1/2"	7.48	4.25	0.59	2.03	2.95	0.11	0.35	1.42	1.65	1.22	0.11	F03/F04	117
A2020D-34	3/4"	7.48	4.61	0.79	2.17	3.15	0.11	0.35	1.42	1.65	1.22	0.11	F03/F04	138
A2020D-1	1"	7.48	5.00	0.94	2.28	3.35	0.11	0.43	1.65	1.97	1.40	0.14	F04/F05	159
A2020D-114	1-1/4"	7.48	5.51	1.18	2.44	3.50	0.11	0.43	1.65	1.97	1.40	0.14	F04/F05	200
A2020D-112	1-1/2"	8.07	6.50	1.50	2.99	4.06	0.14	0.55	1.97	2.76	2.20	0.18	F05/F07	283
A2020D-2	2"	8.07	7.01	1.97	3.33	4.37	0.14	0.55	1.97	2.76	2.20	0.18	F05/F07	563
A2020D-212	2-1/2"	8.66	7.52	2.52	4.11	4.80	0.18	0.67	2.76	4.02	2.99	0.22	F07/F10	903
A2020D-3	3"	8.66	7.99	2.99	4.39	5.12	0.18	0.67	2.76	4.02	2.99	0.22	F07/F10	1018
A2020D-4	4"	9.45	9.02	3.94	5.35	5.51	0.22	0.87	3.62	4.02	2.80	0.22	F10	1252

Note: Torque is in (lb-in)

Actuation

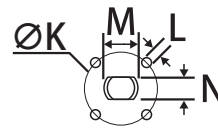
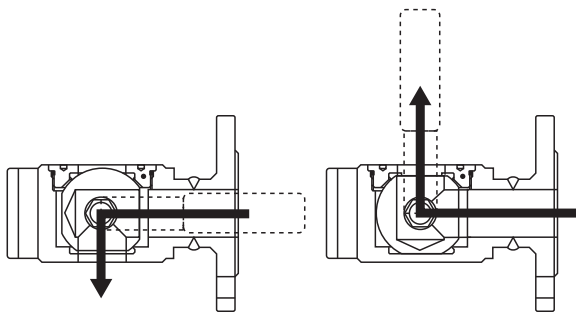
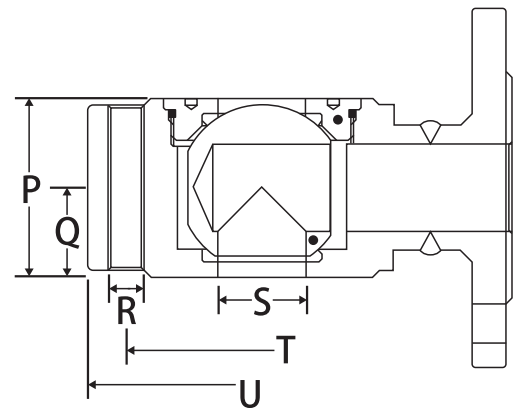
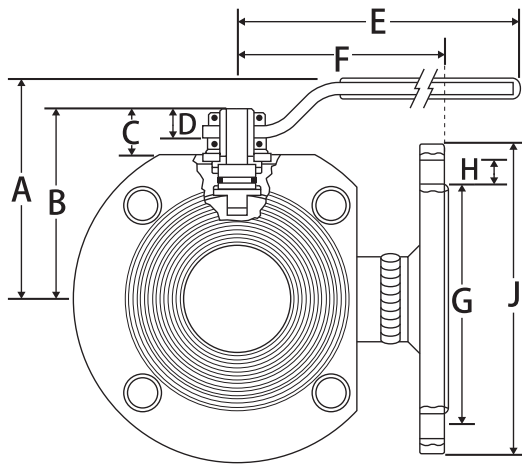
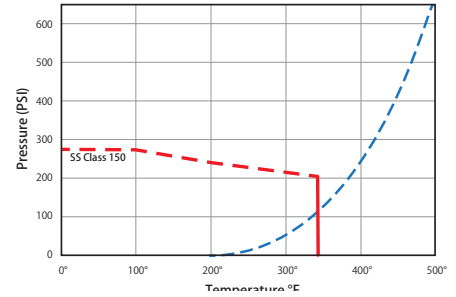
A-766L

Reduced Port • 3-Way Flanged Connection • Class 150



- Compact design
- AISI 316 stainless steel
- ANSI 150 flanged
- Max Temp 344°F
- Blow out proof stem
- 100% tested
- L port style
- T-port available upon request

Valve Seat Rating
150 Class 200 WOG

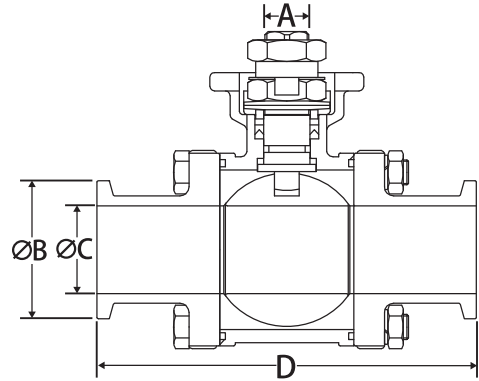
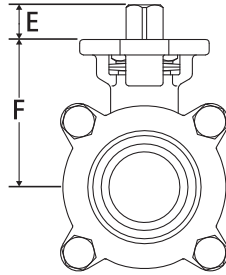


Part No.	Size	A	B	C	D	E	F	H	J	ØK	L	M	N	P	Q	R	S	T	U
A766L-12	1/2"	2.54	1.85	0.61	0.35	5.17	2.99	4 x 0.62	3.50	F03	4 x M5	0.39	0.27	1.57	0.78	4x1/2"	0.39	2.38	3.50
A766L-34	3/4"	2.71	1.95	0.53	0.35	5.17	3.23	4 x 0.62	3.88	F03	4 x M5	0.39	0.27	1.57	0.78	4x1/2"	0.59	2.75	3.88
A766L-1	1"	3.17	2.32	0.70	0.49	6.87	3.38	4 x 0.62	4.25	F04	4 x M5	0.47	0.31	1.81	0.90	4x1/2"	0.78	3.12	4.25
A766L-114	1-1/4"	3.33	2.52	0.61	0.45	6.87	3.93	4 x 0.62	4.62	F04	4 x M5	0.47	0.31	2.28	1.14	4x1/2"	0.98	3.50	4.62
A766L-112	1-1/2"	4.03	3.07	0.96	0.51	9.86	4.13	4 x 0.62	5.00	F05	4 x M6	0.63	0.39	2.79	1.39	4x1/2"	1.26	3.88	5.00
A766L-2	2"	4.29	3.35	0.98	0.53	9.86	4.52	4 x 0.75	6.00	F05	4 x M6	0.63	0.39	3.22	1.61	4x5/8"	1.57	4.75	6.00
A766L-212	2-1/2"	4.29	4.11	1.10	0.71	12.65	4.92	4 x 0.75	7.00	F07	4 x M8	0.78	0.55	4.17	2.08	4x5/8"	1.97	5.50	7.00
A766L-3	3"	5.37	4.45	1.10	0.71	12.65	5.90	4 x 0.75	7.50	F07	4 x M8	0.78	0.55	4.80	2.40	4x5/8"	2.52	6.00	7.50
A766L-4	4"	6.12	5.35	1.36	0.86	15.01	6.26	8 x 0.75	9.00	F10	4 x M10	0.94	0.70	5.98	2.99	8x5/8"	2.99	7.50	9.00

Actuation

A9000TD

3 Piece 4 Bolt • Standard Port • Clamp Connection • 1000 WOG
with ISO Mounting Pad

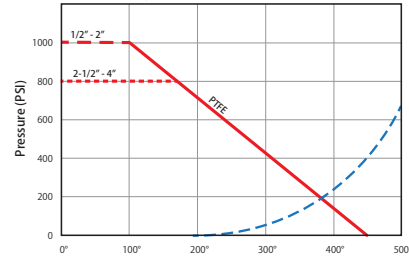


- 3-Piece design for ease of maintenance
- 316SS body, ball and stem
- 20RA I.D. finish
- FDA approved PTFE cavity filler seats
- FDA approved RPTFE stem seal
- FDA approved Viton® stem O-ring
- FDA approved V-ring stem packing
- 304 SS bolts, nuts and washers
- ISO 5211 mounting pad
- Square stem design for direct mounting
- CE stamped

Part No.	Size	A	B1	B2	D	F	G	ISO
A9000TD-12	1/2"	3.50	1.58	0.35	0.37	0.98	0.35	F03/F04
A9000TD-34	3/4"	3.98	1.71	0.35	0.63	0.98	0.35	F03/F04
A9000TD-1	1"	4.49	2.05	0.43	0.87	1.98	0.43	F04/F05
A9000TD-112	1-1/2"	5.51	2.59	0.61	1.38	1.98	0.55	F05/F07
A9000TD-2	2"	6.14	2.91	0.61	1.87	2.54	0.55	F05/F07
A9000TD-212	2-1/2"	7.76	3.66	0.65	2.37	3.06	0.67	F07/F10
A9000TD-3	3"	9.02	4.02	0.65	2.87	3.58	0.67	F07/F10
A9000TD-4	4"	9.49	5.20	0.85	3.83	4.68	0.87	F10

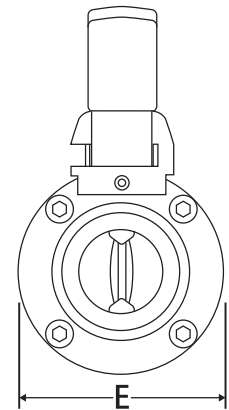
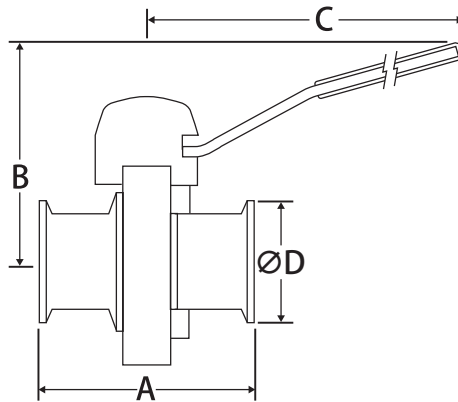
Valve Seat Rating

1/2" - 2" 1000 WOG, 2-1/2" - 4" 800 WOG



A9500

Sanitary Butterfly Valve



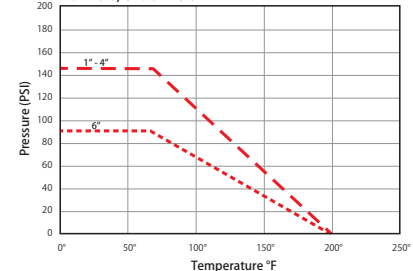
- 360° installation - valve may be installed in any position
- Self draining
- Wetted surfaces have sanitary finish
- USDA approved

Part No.	Size	A	B	C	ØD	E	Break Torque
A9500C-1	1"	3.50	3.88	7.00	1.99	3.13	86
A9500C-112	1-1/2"	3.50	4.13	7.00	1.99	3.13	121
A9500C-2	2"	3.75	4.38	7.00	2.52	3.88	138
A9500C-212	2-1/2"	3.81	4.63	7.50	3.05	4.63	155
A9500C-3	3"	4.13	4.88	7.50	3.58	5.18	242
A9500C-4	4"	4.81	5.38	7.50	4.69	6.69	320
A9500C-6	6"	6.13	6.38	7.00	6.57	8.50	1037

Note: Torque is in (lb-in)

Valve Seat Rating

1-4" 140 WOG, 6" 90 WOG



Technical Tables

Spring Return Output Torque (Lb-in)											
AS Size	Spring No	40 PSI		60 PSI		80 PSI		100 PSI		Spring Torque	
		Air Start	Air End	Air Start	Air End	Air Start	Air End	Air Start	Air End	Spring Start	Spring End
		0	90	0	90	0	90	0	90	90	0
50	6	51	33	96	78	141	123	186	168	57	39
	7	45	23	90	68	135	113	180	158	67	45
	8			83	58	128	103	173	148	77	52
	9			77	49	122	94	167	139	86	58
	10					116	84	161	129	96	64
	11					109	75	154	120	105	71
12								148	110	115	77
60	6	105	67	196	158	287	249	379	341	116	78
	7	91	47	182	138	273	229	365	321	136	92
	8			169	119	260	210	352	302	155	105
	9			156	99	247	190	339	282	175	118
	10					234	171	326	263	194	131
	11					221	152	313	244	213	144
12								300	224	233	157
70	6	162	103	314	245	445	386	587	528	181	122
	7	142	73	294	215	425	356	567	498	211	142
	8			274	185	405	326	547	468	241	162
	9			253	155	384	296	526	438	271	183
	10					364	266	506	408	301	203
	11					344	236	486	378	331	223
12								465	347	362	244
80	6	237	151	446	360	654	568	862	776	265	179
	7	207	106	416	315	624	523	832	731	310	209
	8			386	271	594	479	802	687	354	239
	9			357	227	565	435	773	643	398	268
	10					535	391	743	599	442	298
	11					505	347	713	555	486	328
12								683	510	531	358
90	6	334	212	627	505	919	797	1212	1090	373	251
	7	292	150	585	443	877	735	1170	1028	435	293
	8			543	381	835	673	1128	966	497	335
	9			501	319	793	611	1086	904	559	377
	10					751	549	1044	842	621	419
	11					709	486	1002	779	684	461
12								960	717	746	503
100	6	448	285	840	677	1232	1069	1624	1461	500	337
	7	392	202	784	594	1176	986	1568	1378	583	393
	8			728	510	1120	902	1512	1294	667	449
	9			671	427	1063	819	1455	1211	750	506
	10			615	344	1007	736	1399	1128	833	562
	11					951	652	1343	1044	917	618
12								1287	961	1000	674

Spring Return Output Torque (Lb-in)											
AS Size	Spring No	40 PSI		60 PSI		80 PSI		100 PSI		Spring Torque	
		Air Start	Air End	Air Start	Air End	Air Start	Air End	Air Start	Air End	Spring Start	Spring End
		0	90	0	90	0	90	0	90	90	0
120	6	771	490	1446	1165	2122	1841	2797	2516	861	580
	7	674	347	1349	1022	2025	1698	2700	2373	1004	677
	8			1252	878	1928	1554	2603	2229	1148	774
	9			1156	735	1832	1411	2507	2086	1291	870
	10					1735	1267	2410	1942	1435	967
	11					1638	1124	2313	1799	1578	1064
12								2216	1656	1721	1161
140	6	967	615	1814	1462	2661	2309	3508	3156	1080	728
	7	846	435	1693	1282	2540	2129	3387	2976	1260	849
	8			1571	1102	2418	1949	3265	2796	1440	971
	9			1450	922	2297	1769	3144	2616	1620	1092
	10					2176	1589	3023	2436	1800	1213
	11					2054	1410	2901	2257	1979	1335
12								2780	2077	2159	1456
160	6	1579	1004	2962	2387	4345	3770	5729	5154	1763	1188
	7	1380	710	2763	2093	4146	3476	5530	4860	2057	1387
	8			2565	1800	3948	3183	5332	4567	2350	1585
	9			2367	1506	3750	2889	5134	4273	2644	1783
	10					3552	2595	4936	3979	2938	1981
	11					3354	2301	4738	3685	3232	2179
12								4540	3391	3526	2377
190	6	2597	1652	4872	3927	7148	6203	9424	8479	2900	1955
	7	2271	1169	4546	3444	6822	5720	9098	7996	3383	2281
	8			4220	2960	6496	5236	8772	7512	3867	2607
	9			3894	2477	6170	4753	8446	7029	4350	2933
	10					5844	4269	8120	6545	4834	3259
	11					5518	3786	7794	6062	5317	3585
12								7469	5579	5800	3910
200	6	3262	2075	6122	4935	8981	7794	11841	10654	3644	2457
	7	2853	1468	5713	4328	8572	7187	11432	10047	4251	2866
	8			5303	3720	8162	6579	11022	9439	4859	3276
	9			4894	3113	7753	5972	10613	8832	5466	3685
	10					7343	5365	10203	8225	6073	4095
	11					6934	4757	9794	7617	6681	4504
12								9385	7010	7288	4913
240	6	5780	3676	10845	8741	15911	13807	20977	18873	6456	4352
	7	5054	2601	10119	7666	15185	12732	20251	17798	7531	5078
	8			9394	6590	14460	11656	19526	16722	8607	5803
	9			8669	5514	13735	10580	18801	15646	9683	6528
	10					13009	9504	18075	14570	10759	7254
	11					12284	8428	17350	13494	11835	7979
12								16625	12418	12911	8704

Spring Return Output Torque (Lb-in)											
AS Size	Spring No	40 PSI		60 PSI		80 PSI		100 PSI		Spring Torque	
		Air Start	Air End	Air Start	Air End	Air Start	Air End	Air Start	Air End	Spring Start	Spring End
		0	90	0	90	0	90	0	90	90	0
270	6	7250	4611	13605	10966	19959	17320	26314	23675	8098	5459
	7	6340	3262	12695	9617	19049	15971	25404	22326	9447	6369
	8			11785	8267	18139	14621	24494	20976	10797	7279
	9			10875	6917	17229	13271	23584	19626	12147	8189
	10					16319	11922	22674	18277	13496	9099
	11					15409	10572	21764	16927	14846	10009
12								20854	15577	16196	10919
300	6	10172	6470	19087	15385	28003	24301	36919	33217	11362	7660
	7	8896	4577	17811	13492	26727	22408	35643	31324	13255	8936
	8			16534	11598	25450	20514	34366	29430	15149	10213
	9			15257	9704	24173	18620	33089	27536	17043	11490
	10					22897	16727	31813	25643	18936	12766
	11					21620	14833	30536	23749	20830	14043
12								29259	21856	22723	15320

Technical Tables

*Torque is in (lb-in)

T-1001N		
Size	Torque	Bracket
1/4	40	FABRICATED
3/8	40	FABRICATED
1/2	40	FABRICATED
3/4	60	FABRICATED
1	70	FABRICATED
1-1/4	110	FABRICATED
1-1/2	170	FABRICATED
2	250	FABRICATED

T/S-SS-1000-4B		
Size	Torque	Bracket
1/4	60	FABRICATED
3/8	60	FABRICATED
1/2	80	FABRICATED
3/4	150	FABRICATED
1	250	FABRICATED
1-1/4	320	FABRICATED
1-1/2	400	FABRICATED
2	480	FABRICATED
2-1/2	600	FABRICATED
3	850	FABRICATED

Class 150 Flange		
Size	Torque	Bracket
1/2	48	FABRICATED
3/4	90	FABRICATED
1	148	FABRICATED
1-1/2	270	FABRICATED
2	395	FABRICATED
2-1/2	609	FABRICATED
3	913	FABRICATED
4	1443	FABRICATED
5	2687	FABRICATED
6	4870	FABRICATED
8	8522	FABRICATED

T/S-2002N-DUE		
Size	Torque	Bracket
1/4	35	FABRICATED
3/8	35	FABRICATED
1/2	65	FABRICATED
3/4	100	FABRICATED
1	120	FABRICATED
1-1/4	210	FABRICATED
1-1/2	300	FABRICATED
2	400	FABRICATED

T/S-2001N-4B		
Size	Torque	Bracket
1/2	85	FABRICATED
3/4	150	FABRICATED
1	180	FABRICATED
1-1/4	210	FABRICATED
1-1/2	320	FABRICATED
2	440	FABRICATED

T/S-600-4B		
Size	Torque	Bracket
1/2	22	FABRICATED
1	55	FABRICATED
1-1/4	95	FABRICATED
1-1/2	120	FABRICATED
2	340	FABRICATED

Class 300 Flange		
Size	Torque	Bracket
2	1068	FABRICATED
3	1752	FABRICATED
4	3216	FABRICATED
6	6900	FABRICATED
8	16620	FABRICATED
10	23040	FABRICATED

T-2000N-SS		
Size	Torque	Bracket
1/4	35	FABRICATED
3/8	35	FABRICATED
1/2	65	FABRICATED
3/4	100	FABRICATED
1	120	FABRICATED
1-1/4	210	FABRICATED
1-1/2	300	FABRICATED
2	400	FABRICATED

*Torque is in (lb-in)

A750L/T			
Size	Torque	ISO	SQ
1/4"	54	F03	0.35
3/8"	54	F03	0.35
1/2"	54	F03	0.35
3/4"	54	F03	0.35
1"	151	F05	0.43
1-1/4"	151	F05	0.43
1-1/2"	151	F05	0.43
2"	275	F07	0.55
2-1/2"	381	F07	0.55
3"	381	F07	0.55

A850L/T			
Size	Torque	ISO	SQ
1/4"	105	F03/F04	0.35
3/8"	105	F03/F04	0.35
1/2"	138	F03/F04	0.35
3/4"	184	F04/F05	0.43
1"	323	F04/F05	0.43
1-1/4"	461	F05/F07	0.55
1-1/2"	633	F05/F07	0.55
2"	1037	F07/F10	0.67

A9000TD			
Size	Torque	ISO	SQ
1/2"	65	F03/04	0.35
3/4"	155	F03/04	0.35
1"	198	F04/05	0.43
1-1/2"	398	F05/07	0.55
2"	449	F05/07	0.55
2-1/2"	783	F07/10	0.67
3"	930	F07/10	0.67
4"	1799	F10	0.87

A2020D			
Size	Torque	ISO	SQ
1/2"	117	F03/04	0.35
3/4"	138	F03/04	0.35
1"	159	F04/05	0.43
1-1/4"	200	F04/05	0.43
1-1/2"	283	F05/07	0.55
2"	563	F05/07	0.55
2-1/2"	903	F07/10	0.67
3"	1018	F07/10	0.67
4"	1252	F10	0.87

A1000			
Size	Torque	ISO	SQ
1/2"	40	F03/04	0.35
3/4"	60	F03/04	0.35
1"	70	F04/05	0.43
1-1/4"	110	F04/05	0.43
1-1/2"	170	F05/07	0.55
2"	250	F05/07	0.55
2-1/2"	650	F07/10	0.67
3"	850	F07/10	0.67
4"	950	F10/12	0.87

T100				
Size	Torque	Bracket Used	ISO	SQ
1/4	23	A1B-A1C11	F03/05	.43
3/8	23	A1B-A1C11	F03/05	.43
1/2	35	A1B-A1C11	F03/05	.43
3/4	62	A2B-A2C11	F03/04/05	.43
1	89	A3B-A3C11	F05	.43
1-1/4	132	A3B-A3C11	F05	.43
1-1/2	177	A4B-A4C14	F05/07	.55
2	222	A4B-A4C14	F05/07	.55
2-1/2	354		FABRICATED	
3	442		FABRICATED	
4	620		FABRICATED	

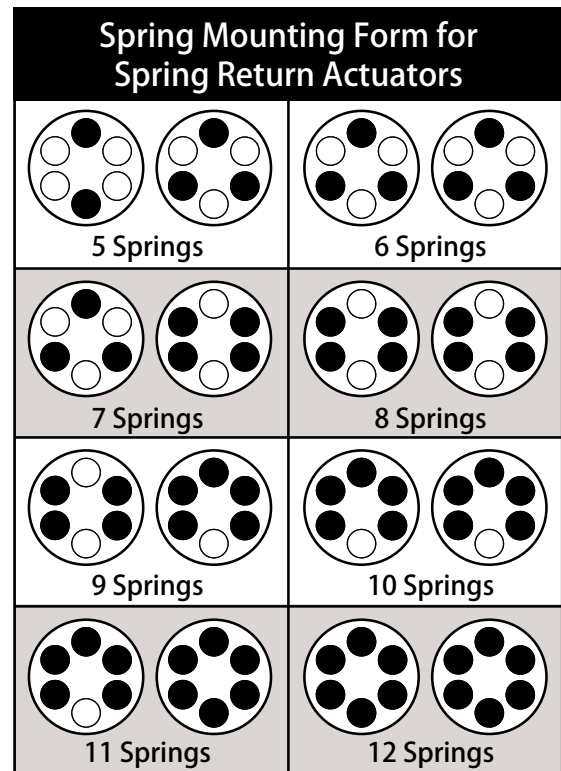
Technical Tables

Alpha Series Torques				
Double Acting Supply Pressure -PSI				
Model	40	60	80	100
50	90	135	180	225
60	183	274	365	457
70	284	426	567	709
80	416	625	833	1041
90	585	878	1170	1483
100	785	1177	1589	1961
120	1351	2026	2702	3377
140	1695	2542	3389	4236
160	2767	4150	5533	6917
190	4552	6827	9103	11379
200	5719	8579	11438	14298
240	1132	15197	20263	25329
270	12709	19064	25418	31773
300	17832	26747	35663	44579
350	27282	40923	54563	68204

*Torque is in (lb-in)

AE Series			
	Torque	ISO	SQ
AE-180	180	F03/05	.43
AE-450	450	F05/07	.55
AE-700	700	F05/07	.67
AE-880	880	F07	.67
AE-1400	1400	F07/10	.87
AE-2100	2125	F07/10	.87
AE-3100	3098	F10/12	1.06
AE-4400	4425	F10/12	1.06
AE-7000	7080	F12/14	1.42
AE-9000	9735	F12/14	1.54

Alpha Series Torques				
Model	SQ	ISO	Air Start	Spring End
Max 11 Springs Per Actuator Figured Below				
50	0.43	F03/05	109	71
60	0.55	F05/07	221	144
70	0.55	F05/07	344	223
80	0.67	F05/07	505	328
90	0.67	F05/07	709	461
100	0.87	F07/10	951	618
120	0.87	F07/10	1638	1064
140	1.06	F10/12	2054	1335
160	1.06	F10/12	3354	2179
190	1.42	F14	5518	3585
200	1.42	F14	6934	4504
240	1.81	F16	12284	7979
270	1.81	F16	15409	10009
300	1.81	F16	21620	14043
350	1.81	F16	21724	23523



Butterfly Valves Max Break Torque								
Size	SQ	ISO	EPDM & BUNA		PTFE		VITON	
			WET	DRY	WET	DRY	WET	DRY
2"	0.35	F05	176	283	353	565	198	318
2-1/2"	0.35	F05	201	381	401	763	226	429
3"	0.35	F05	269	511	537	1022	302	575
4"	0.43	F07	464	850	928	1699	522	956
6"	0.55	F07	1196	2033	2392	4066	1345	2287
8"	0.67	F10	2238	3850	4476	7700	2518	4331
10"	0.86	F10	3768	6407	7537	12813	4239	7207
12"	0.87	F10	5721	9326	11443	18652	6437	10492
14"	0.87	F10	6638	10302	13276	20605	7468	11590
16"	1.06	F14	8985	13882	17971	27763	10108	15617
18"	1.06	F14	12012	18910	24024	37810	13514	21270
20"	1.26	F14	15199	24513	30397	49026	17098	27577
24"	1.42	F16	24439	39414	48877	78828	27494	44341

Butterfly Valve CVs										
Flow in GPM @ 1PSI P @ Various Disc Angles										
Size	10°	20°	30°	40°	50°	60°	70°	80°	Full 90° Open	
2"	0.1	5	12	24	45	64	90	125	135	
2.5"	0.2	8	20	37	65	98	144	204	220	
3"	0.3	12	22	39	70	116	183	275	302	
4"	0.5	17	36	78	139	230	364	546	600	
5"	0.8	29	61	133	237	392	620	930	1022	
6"	2	45	95	205	366	605	958	1437	1579	
8"	3	89	188	408	727	1202	1903	2854	3136	
10"	4	151	320	694	1237	2047	3240	4859	5340	
12"	5	234	495	1072	1911	3162	5005	7505	8250	
14"	6	338	715	1549	2761	4568	7230	10844	11917	
16"	8	464	983	2130	3797	6282	9942	14913	1638	
18"	11	615	1302	2822	5028	8320	13168	19752	21705	
20"	14	791	1674	3628	6465	10698	16931	25396	27908	
24"	22	1222	2587	5605	9989	16528	26157	39236	43116	

Lifetime Warranty



Jomar Valve offers a **Lifetime Limited Warranty** for leakage through the valve stem for the valve models listed below. Because **Jomar** valves are equipped with a triple stem seal (double Viton® O-rings and Hostaflo® packing gland), valves properly installed and maintained within our normal recommendations for application and service are covered by warranty for life for leakage through the stem. The warranty will be nullified if it is determined that the product has been misused, abused, improperly installed or has failed as a result of freezing.

Jomar Valve models covered under this warranty are listed below. If a leak through the valve stem is detected, the packing nut should be tightened (if available). If after tightening the packing gland there is still stem leakage **Jomar Customer Service** should be contacted for a Return Goods Authorization (RGA) at 800-325-5690. Only once authorization has been obtained should the product be forwarded to Jomar at the address specified on the RGA via prepaid freight with the RGA number prominently displayed. For breach of this warranty on the products below the purchaser is limited to the following damages: If after factory analysis it is determined that a defect is present, **Jomar Valve** will forward a replacement product, freight paid, to the address listed on the RGA form unless instructed otherwise. If an exact replacement product is no longer available, Jomar Valve may opt to either replace the product with a similar product of type and/or function or refund the original purchase price of the returned product. Additionally a check in the amount of \$25.00 may be authorized to the installing contractor directly to offset any installation costs. This warranty specifically excludes incidental and consequential damages of any type resulting from a claimed defect in material or workmanship. This includes but is not limited to property damages and personal injury.

Models Covered Under Life Time Limited Warranty

T-100NEG	S-100SSE	T-100FB	T-203DU
JP-100GPxP	T-100SSS	TWV-3W-KIT	125-LWN (MxF)
T-100C	JP-100PxP	T-82	175-LWN
S-100C	JP-100P XLC	S-100-DUE	175-LWIN
TWV-3W-KIT-G	T-100FMN	T-100P-SS-WS	175-LWIBP
TWV-3W-KIT-G1	S-100FMN	T-205	125-LWBP
T-100NE	T-100UE	T-204	175-LWBP
S-100NE	T-100STN	T-204DU	125-LWUBP
T-100-SSE	S-100STN	T-203	

Note: Information is subject to change without notice.

Actuation Questionnaire

Section A: Valve Information

Valve Type:

- Butterfly Ball

Valve Material:

- Brass Ductile Iron
 PVC Stainless
 Carbon

Model _____

Size _____

Quantity _____

Type of fluid in valve _____

Fluid is:

- Dry Wet

Media pressure: _____

Temperature: _____

Frequency of operation: _____

Section B: Actuator Information

Electric

Voltage _____

Time for 90° rotation _____

Enclosure:

- NEMA4 NEMA7 Other

Options:

- Brake Heater
 Thermostat Manual Override
 Extra Switches Potentiometer
 Position Transmitter

Control:

- 4-20mA 0-10v 1-5v

Pneumatic

Actuator Type

- Air to air Air to spring
 Fail open
 Fail closed

Air supply pressure to actuator:

_____ PSI

Options:

Solenoid Valve

- Direct mount

Enclosure

- NEMA 4 NEMA 7

Switch Box:

- SPDT

Enclosure

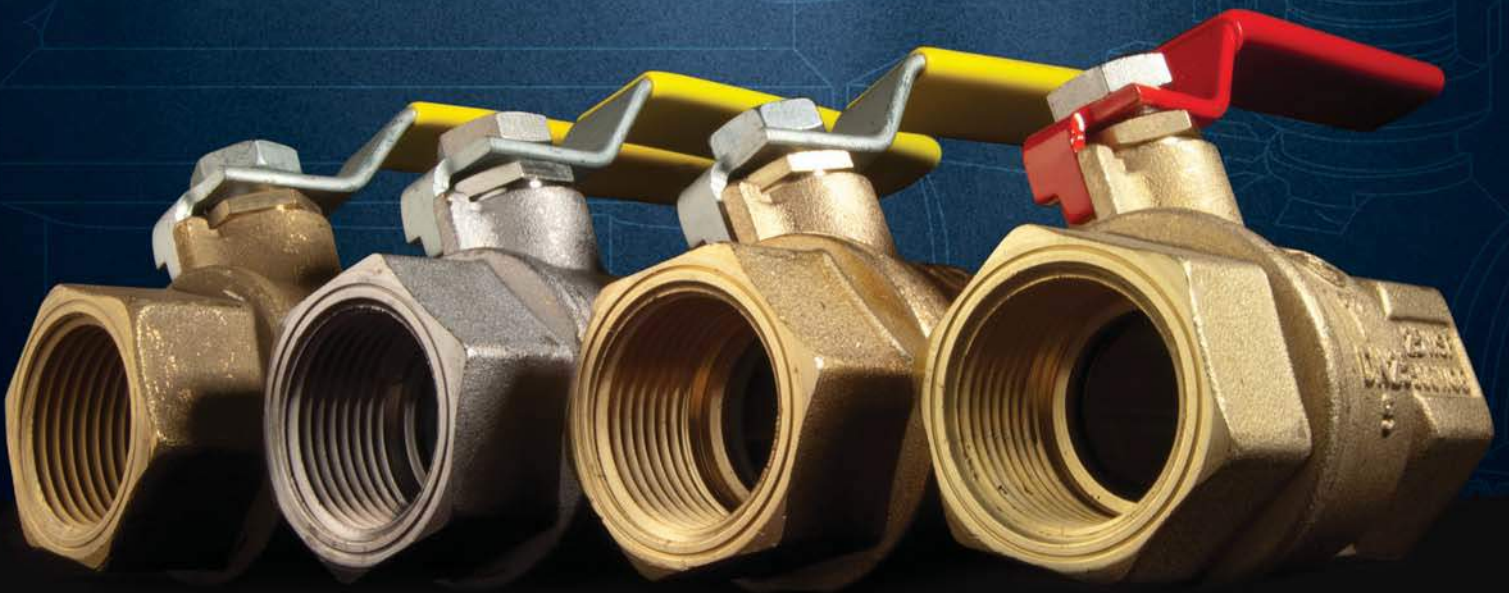
- NEMA 4 NEMA 7

Positioner

- Electro-pneumatic (4-20mA)
 Pneumatic (3-15psi)

Notes: _____

Jamar[®] VALVE



T-100NEG

T-100SSE

T-100NE

T-100SSS



**GENERAL FUELS
COMPANY**

Official and Exclusive Exporter
Middle East and Africa

10800 W Warren Avenue Suite 260 - Dearborn, Michigan 48126

Phone: +1 (313) 846-2300 • Fax: +1 (313) 424-4300 • email: sales@generalfuels.com

www.generalfuels.com